

ECODIVER



GENERAL DATA

Applications

Multi-stage powerful submersible pumps ideal for rain water systems, operating sprinklers, pumping water from tanks, cisterns, ponds and wells and other applications that require high pressure.

Available with 2, 3 and 4 impellers. Suitable to pump clear water.

Constructional features of the pump

Technopolymer pump body.

Technopolymer impeller, diffuser, self-priming disc.

Anti-debris stainless steel strainer.

Constructional features of the motor

Induction motor, closed and cooled with liquid being pumped

Wear resistant shaft with triple lip seals to ensure a long life.

Built-in thermic overload protection

Capacitor permanently in circuit.

Manufactured according to UL 778 -2010 & CSA 108-1

Motor protection: NEMA6P

Insulation class: F

Cable Length: 16ft

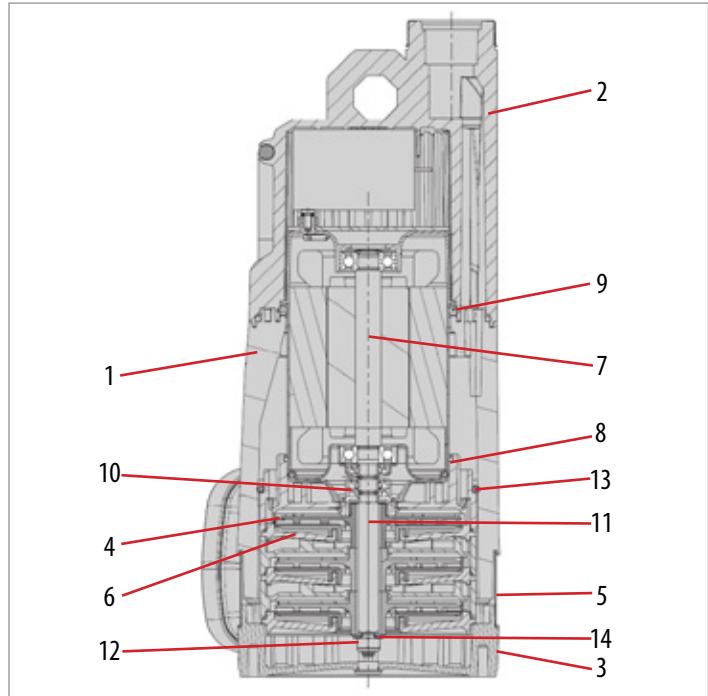
Standard voltage: 115v 60Hz

TECHNICAL DATA

MATERIALS

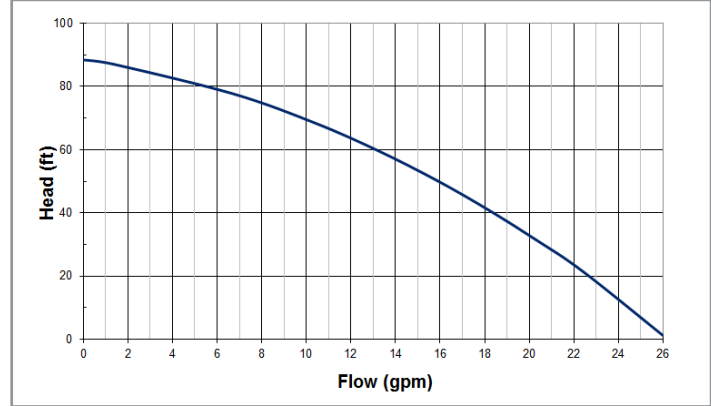
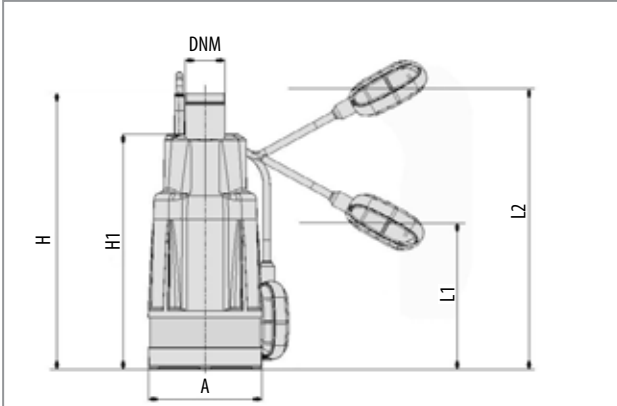
N°	PARTS*	MATERIALS
1	PUMP BODY	PP 30% GF NAT. GRADE 6
2	DISCHARGE HEAD	PP 30% GF NAT. GRADE 5
3	PUMP BASE	PP 30% NAT. GRADE 6
4	IMPELLER	NORYL
5	SUCTION STRAINER	STAINLESS STEEL
6	DIFFUSER	NORYL
7	ROTOR SHAFT	AISI 416 STAINLESS STEEL
8	MOTOR CASING	DIE CAST ALUMINIUM
9	'O' RING	NBR 70
10	TRIPLE LIP SEAL	NBR 70
11	PUMP SHAFT	AISI 303 STAINLESS STEEL
12	LOCK NUT	STAINLESS STEEL A2
13	'O' RING	NBR 70
14	WASHER	STAINLESS STEEL A2

* In contact with liquid



Operating Range:	From 1 to 26 gpm with a head up to 157ft (68psi)
Liquid quality requirements:	clean, free from solids or abrasive substances, non viscous, non aggressive, non crystallized, chemically neutral, close to the characteristics of water
Liquid temperature Range:	From 32°F to 95°F
Maximum ambient temp.	104°F
Maximum operating pressure	87 psi
Maximum submersion	33 ft
Installation:	fixed or portable in a vertical position
Special version on request	other voltages and/or frequencies

ECODIVER 750



MODEL	A	H	H1	L1	L2	DNM	Weight
ECODIVER 750	5 ⁷ / ₈ "	14 ⁵ / ₈ "	12 ¹ / ₂ "	N/A	N/A	1" NPT	18.1 lbs
ECODIVER 750 A	5 ⁷ / ₈ "	14 ⁵ / ₈ "	12 ¹ / ₂ "	4 "	12 "	1" NPT	18.3 lbs

MODEL	ELECTRICAL DATA				HYDRAULIC DATA		
	Voltage 60Hz	P1		In A	MAX Flow	Max Head	Max Pressure
	kW	Hp					
ECODIVER 750	115v	750	1/2	8.0	26 gpm	89 ft	38 psi