

XG10 WATER PUMP
OPERATOR'S MANUAL



Read this manual carefully before operation.

This Manual contains important safety information and instructions for operating this pump. **PLEASE READ THIS MANUAL CAREFULLY.**

Failure to do so could result in property damage and/or personal INJURY/DEATH.

This manual should be considered as a permanent part of your pump and should remain with it when you sell it.

The pictures and figures provided herein are only for typical expression of the series of production. The pictures and figures may differ from the material object and are only used for reference.

All information in this publication is based on the latest product information available at the time of printing. We reserve the right to change, alter and/or improve the product and this document at any time without notice and without incurring any obligation.

No part of this publication shall be copied or reproduced without any written permission.

Write down the engine's serial number and purchase information. Keep this manual and the receipt for future reference.

Model:

Serial number:

Date of purchase:

Contents

I. Operating safety.....	1
II. Feature and controls.....	5
III. Operating.....	6
1. Unpack.....	6
2. Water pump connecting.....	6
3. Check items before operating.....	9
4. Start the pump.....	13
5. Stop the pump.....	15
IV. Maintenance.....	16
1. Maintenance schedule.....	16
2. General maintenance.....	18
V. Trouble-shooting.....	22
VI. Storage.....	23
VII. Specification.....	24
VIII. Warranty Service	25

I. Operator safety



Pay attention to this safety alert symbol. Obey all safety messages that follow this symbol to avoid possible property damage, INJURY or DEATH.

Each safety message is preceded by a safety alert symbol and one of three words, DANGER, WARNING, or CAUTION.

⚠ DANGER

Indicates a hazardous situation which, if not strictly complied with, will result in substantial property damage, serious injury or DEATH.

⚠ WARNING

Indicates a hazardous situation which, if not strictly complied with, may result in property damage, serious injury or DEATH.

⚠ CAUTION

Indicates a hazardous situation which, if not strictly complied with, could result in property damage or injury.



⚠ WARNING

READ THIS MANUAL COMPLETELY BEFORE OPERATING.

DO NOT operate this water pump until you have read ALL safety, operation, and maintenance Instructions listed in this manual.

Failure to follow the instructions may result in property damage, INJURY or DEATH.

The warnings and precautions discussed in this manual cannot cover all possible conditions and situations that may occur. It must be understood by the operator that common sense and caution are factors which cannot be built into this product, but must be possessed by the operator.

⚠ WARNING

Do not tamper with the pump engine governed speed High operating speed is dangerous, and it increases the risk of personal injury or damage to the equipment. Operating at low speed with heavy load may shorten the pump life.



⚠ DANGER

FIRE OR EXPLOSION

Gasoline is highly flammable and extremely explosive.

Fire or explosion can cause severe burns or death.

Keep flammable items away while handling gasoline.

Fill fuel tank outdoors and in a well-ventilated area with the pump stopped.

Always wipe off spilled fuel and wait until the fuel has dried before starting the pump.

DO NOT operate the engine with known leaks in the fuel system.

Use proper fuel storage and handling procedures. **DO NOT** store fuel or other flammable materials nearby.

Empty the fuel tank before storing or transporting this engine.

Keep fire extinguisher handy and be prepared if a fire starts.



⚠ DANGER

TOXIC FUMES

The exhaust of the pump engine contains carbon monoxide, an odorless, colorless, poison gas. Using pump indoors **CAN KILL YOU!**

NEVER use inside any building or any kind of enclosure, **EVEN IF** doors and windows are open.

Place the pump in a well-ventilated area and carefully consider wind and air currents when positioning the pump.



⚠ WARNING

KICKBACK

Rapid retraction of the starter cord will pull hand and arm towards the engine faster than you can let go.

Unintentional startup can result in accident.



⚠ WARNING

FIRE

Operation of this pump engine may create sparks that can start fires around dry vegetation.

This pump engine may not be equipped with a spark arresting muffler. If the engine will be used around flammable materials, or on land covered with materials such as agricultural crops, forest, brush, grass, or other similar items, then an approved spark arrester must be installed.

In some area, a spark arrester is required by law. Please contact local fire agencies for laws or regulations relating to fire prevention requirements.

⚠ WARNING

Do not modify the pump or use for a purpose which is not intended.



⚠ DANGER

MOVING PARTS

Moving parts can cause severe injury. Keep hands and feet away.

NEVER place fingers, hands, or body near the engine when it is running.

DO NOT operate pump with covers, shrouds, or guards removed.

DO NOT wear loose-fitting clothing, dangling drawstrings or items that could become caught. Tie up long hair and remove jewelry.

⚠ WARNING

Do not use the pump for inflammable or corrosion liquids, chemical solvent, or alkali liquids transport, such as gasoline, alcohol, seawater, oil wine or milk production. Keep the rubber or plastic material far away from oil kinds of stuff.

Keep hands and body far away from discharge of the pump. Fix the transport pipe the pump so that it can stable during operation. Never put hand or body into the operation pump or transport pipe.

⚠ WARNING

Fix the pump in case moving or being caught in mud or water, especially when it settles down to the pound or ditches nearby.

Never drive to run over the transportation pipe. If the pipe must across the road, use plate to hole the pipe over sides to protect from block or press drove by the car.

Keep the connecting sealing and use explosion-proof pipe for output. Never block the input and output pipe, or it will damage the pump.

Never start the pump without impurities filter in the input pipe.

Keep enough water in the pump before operate it, do not run it without water in it.

Make sure users are acquired the knowledge of how to stop the pump quickly and operate all the related devices. No body without enough general understanding of how to operate the pump is allowed to run it. All those man who are juvenile, old man, disabled, the ones after insert alcohol, cordial, anesthetic cannot operate the pump.



⚠ WARNING

HOT SURFACE

Running pump produce heat. Severe burns can occur on contact.

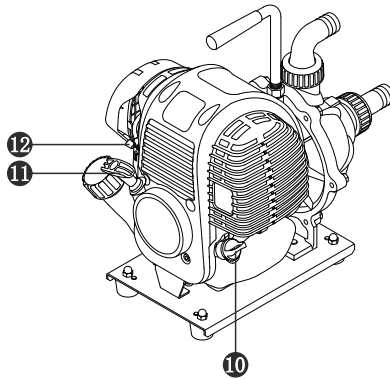
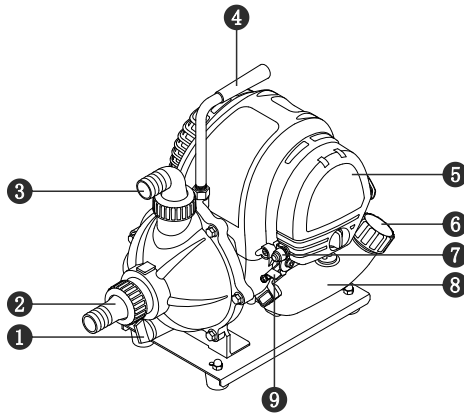
Avoid contact with hot exhaust gases.

DO NOT touch pump while operating or just after stopping. Avoid contact with hot exhaust gases.

Maintain at least three feet of clearance on all sides to ensure adequate cooling.

Combustible material can catch fire on contact. Maintain at least five feet of clearance from combustible materials.

II. Features and Controls



- | | | |
|---------------------|-------------------|--------------------|
| ① Water outlet plug | ② Inlet connector | ③ Outlet connector |
| ④ Handle | ⑤ Air filter | ⑥ Fuel cap |
| ⑦ Stop switch | ⑧ Fuel tank | ⑨ Throttle lever |
| ⑩ Oil dipstick | ⑪ Recoil starter | ⑫ Choke lever |

III. Operating

1. Unpack

Remove pump from packing box.

1

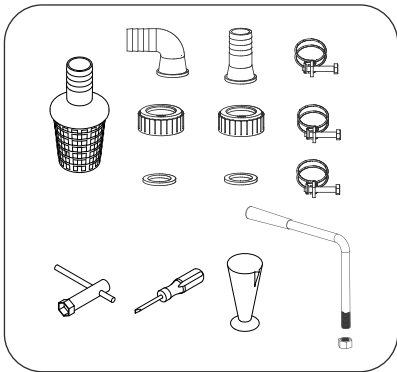
Put packing box in rough, horizontal surface.

2

Cut the package in a up to down manner and open every flaps.

3

Remove all the accessories except pump from box.



Accessories list:
inlet and outlet connector, line connecting connector, line connector sealing, clamps, nut, handle, filter, screw driver, measuring pot, spark plug socket and breaker bar.

⚠ CAUTION

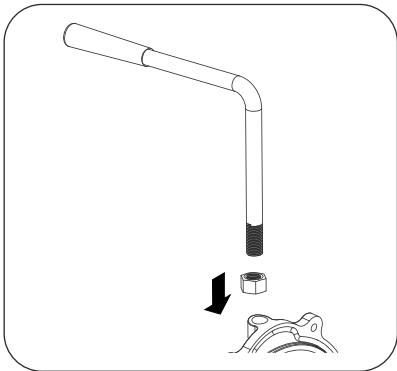
The above is the standard state attachment details, according to customer status will be different.

2. Water Pump Connecting

1

Handle mounting

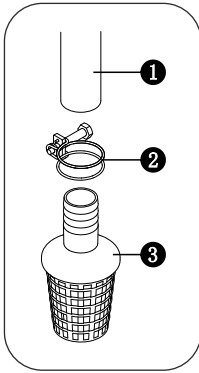
Put the nut into handle and then mount the handle onto the pump.



2

Connecting the filter

Connect the filter in end of input pipe with clamp.



- ① Input pipe
- ② Clamp
- ③ Filter

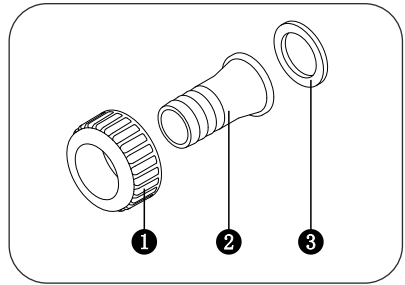
⚠ CAUTION

Remember to connect the impurities filter at the end of the input pipe, so that it can prevent from the impurities that may block the pipe or damage any parts.

Keep 20cm depth water submerging the filter and no mud block the mouth when put it into water. Propose to put the pump in a bucket before put it into water or settle on a stone in the water.

3 Connecting the inlet connector

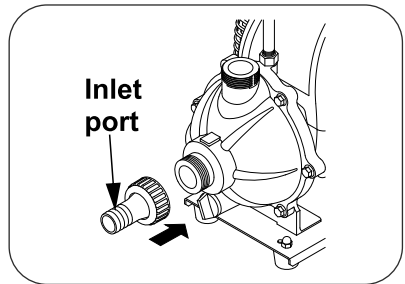
Connect inlet connector mount as picture shows.



- ① Line connecting connector
- ② Inlet connector
- ③ Line connector sealing

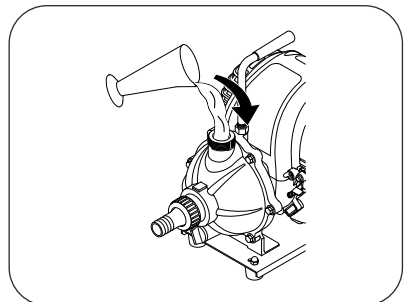
4 Connecting the inlet port

Mount as picture shows.



5 Pump water

Fill the pump before starting it.

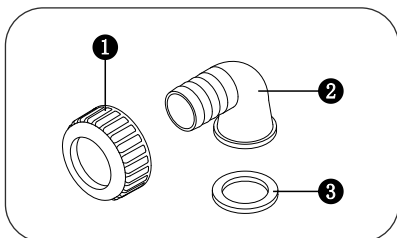


⚠ WARNING

Running water pump without water in it may damage sealing system and void your warranty.

6 Connecting the outlet connector

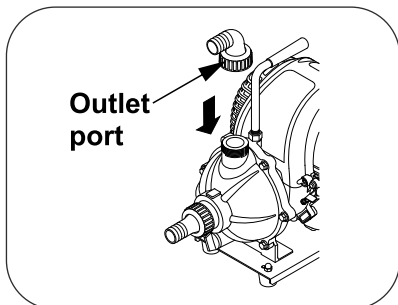
Connect outlet connector mount as picture shows.



- 1 Line connecting connector
- 2 Outlet connector
- 3 Line connector sealing

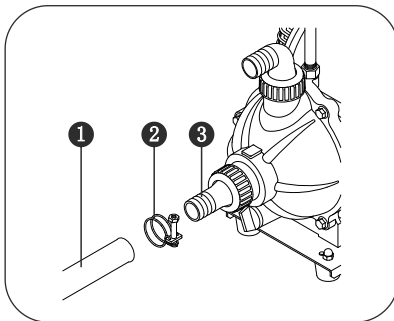
7 Connecting the outlet port

Mount as picture shows. The water outlet port angle can be adjusted according to need.



8 Connecting the inlet line

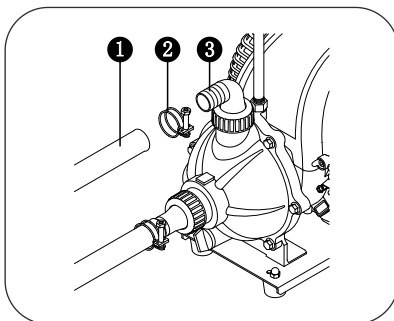
Connect inlet line and inlet line connector with clamp as below picture shows.



- 1 Water inlet line
- 2 Clamp
- 3 Inlet line connector

9 Connecting the outlet line

Connect outlet line and outlet line connector with clamp as below picture shows.



- 1 Water outlet line
- 2 Clamp
- 3 Outlet line connector

⚠ CAUTION

Input pipe must be the unfolded hard pipe but not too long, length should be the direct proportion with the input time.

Water pipe selection is based on the run condition and purchase model, the output pipe pressure capacity must meet the requirement for safe.

Fasten the clamp so that it cannot loosen under the high pressure on input or output.

Large diameter and short length pipe is commanded for output pipe. If keep output pipe too long or too small diameter, it will increase the flow resistance, which may decrease the output.

3. Check items before operation.

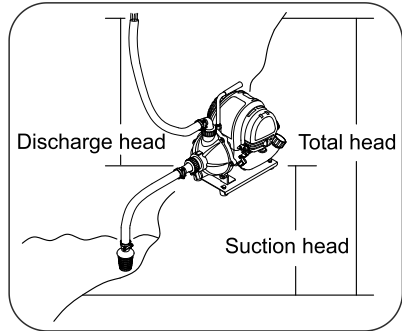
1 Operating area

For outdoor use only and always keep clean around the water pump.

Place the pump in a well-vented area and carefully note the wind and air currents.

Place the water pump in a hard horizontal surface

before running it, and the pump setting location and its water lift should not over the limited, or it will damage the sealing caused by overheated.



⚠ DANGER

TOXIC FUMES

The exhaust of the pump engine contains carbon monoxide, an odorless, colorless, poison gas. Using pump indoors **CAN KILL YOU!**

NEVER use inside any building or any kind of enclosure, **EVEN IF** doors and windows are open.

High altitude

This pump engine may require a high altitude carburetor kit to ensure correct operation at high altitudes. Consult your local dealer for high altitude kit information if you always

operate your engine at altitudes above 5,000 feet (1,500 meters).

⚠ CAUTION

Even with carburetor modification, pump horsepower will decrease about 3.5% for each 1,000 feet(300 meters) increase in altitude. The effect of altitude on horsepower will be greater than this if no carburetor modification is made.

⚠ CAUTION

Operation the pump at altitude below 5,000 feet(1,500 meters) with modified carburetor may cause the pump to overheat and result in serious pump damage. Ask the authorized local dealer for setting the carburetor status back to factory if pump should be used in altitude.

2 Operating Condition

Check for loose or damaged parts, signs of oil or fuel leaks, and any other condition that may affect proper operation. Repair or replace all damaged or defective parts immediately.

⚠ WARNING

Failing to correct problem(s) before operation could result in property damage, serious injury or DEATH.

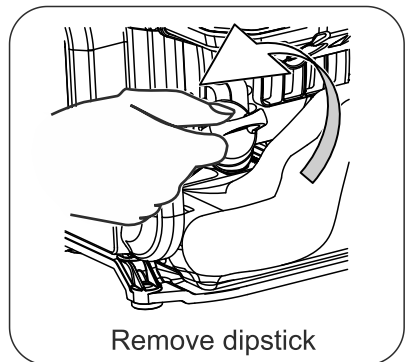
Remove any excessive dirt or debris, especially around the muffler and recoil starter.

3 Engine oil

Place the engine on a level surface with engine stopped.

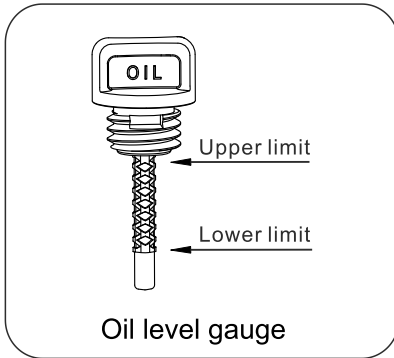
Remove the dipstick and wipe it clean.

Insert the dipstick in the dipstick hole, but do not screw it in.



Remove dipstick

Remove the dipstick again and check oil level, which should be in between the upper and lower limit.



Fill to the upper limit (marked with “H”) of the dipstick with the recommended oil if the oil level is low.

Reinstall and fully tighten the dipstick.

Refer to **add oil** instruction in **MAINTENANCE** section for more information.

⚠ WARNING

Oil is a major factor affecting performance and service life. Use 4-atroke automotive detergent oil SAE 10W-30 recommended in the Maintenance section of this manual.

⚠ WARNING

Run unit only in the horizontal surface.

If the engine equipped with oil sensor, it will shut off when oil level lower the limit.

To avoid unexpected stopping, please fill oil to upper limit and check the oil level regularly.

⚠ WARNING

This pump engine is not filled with oil at the factory. Any attempt to crank or start the engine before it has been properly filled with the recommended type and amount of oil may result in engine damage and void your warranty.

4 Engine fuel

With the engine stopped, check the fuel level gauge. Refill the fuel tank if necessary.

CAUTION

Pressure can build up in the fuel tank. Allow the engine to cool for at least two minutes before removing fuel cap. Loosen the fuel cap slowly to relieve any pressure in the tank.

Use clean, fresh, regular unleaded gasoline.

DO NOT mix oil with gasoline.

Be sure not to fill above the upper limit mark, always fill to regulated level like level indicator shows, or fill to 25mm left from fuel tank, lower the fuel level according to engine start condition and allow room for fuel expansion.

DANGER

Do not fill the fuel tank above the upper limit. Over fill will result in engine die or damage the carbon canister(if equipped) and void your warranty.



DANGER

FIRE OR EXPLOSION

Gasoline is highly flammable and extremely explosive.

Fire or explosion can cause severe burns or death.

Keep flammable items away while handling gasoline.

Fill fuel tank outdoors and in a well-ventilated area with the engine stopped.

Always wipe off spilled fuel and wait until the fuel has dried before starting the engine.

DO NOT operate the engine with known leaks in the fuel system.

Use proper fuel storage and handling procedures. DO NOT store fuel or other flammable materials nearby.

Empty the fuel tank before storing or transporting this engine.

Keep fire extinguisher handy and be prepared if a fire starts.

NEVER use engine or carburetor cleaner products in the fuel tank or permanent damage may occur.

It is important to prevent gum deposits from forming in essential fuel system parts, such as the carburetor, fuel filter, fuel hose or tank during storage. Also, experience indicates that alcohol-blended fuels (called gasohol, ethanol or methanol) can attract moisture, which leads to separation and formation of acids during storage.

Acidic fuel can damage the fuel system of an engine while in storage. Be sure to review the instructions given in “Storage” on chapter six.

Gasoline/Alcohol Blends: up to 10% alcohol, 90% unleaded gasoline by volume is approved as a fuel. Other gasoline/alcohol blends are not approved.

Effects of old, stale or contaminated fuel are not warranted.

⚠ CAUTION

To minimize gum deposits in your fuel system and to insure easy starting, do not use gasoline left over from the previous season.

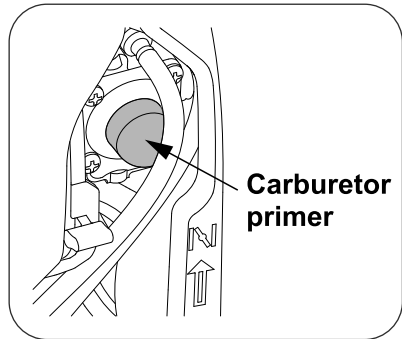
4. Start the pump

1

Check the item before operating the pump.

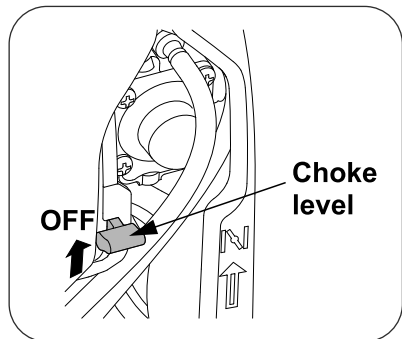
2

Press carburetor primer until fuel filled in the fuel line.



3

Turn the choke level to “OFF” position.

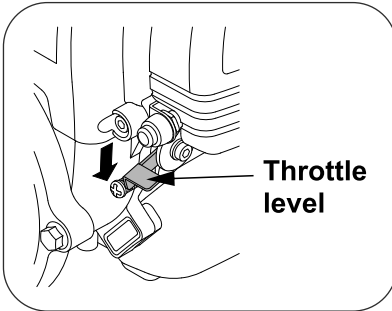


⚠ CAUTION

Whether choke open or not may be varied with temperature or other factors, for instance, if heat engine re-started above 20°C, the choke should be open, while re-started below 20°C, the choke should be closed.

4

Move the throttle level to the idle position.



5 Recoil start

⚠ WARNING

Check recoil rope before start. If rope got abrasion severely, please exchange in local authorized dealers.

Pull the starter handle until feel resistance force to start the engine, and then pull more quickly to start it.



⚠ WARNING

KICKBACK

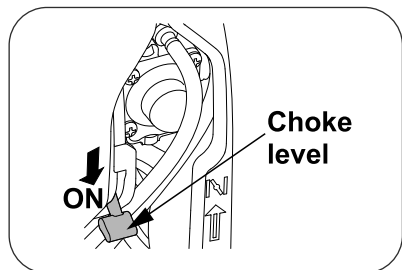
Rapid retraction of the starter cord will pull hand and arm towards the engine faster than you can let it go.

Unintentional startup can result in accident.

If in the closed state of the choke two start is not successful, please open the choke and try again. Try several times in close choke condition, may cause the mixture too thick to start.

6

Turn choke lever to "ON" position after engine started.



7

Move the throttle lever to the desired RPM position.

⚠ WARNING

Pump performance can be adjusted using the throttle. To decrease pump output, slide the throttle down. To increase it, slide the throttle up.

5. Stop the pump

1

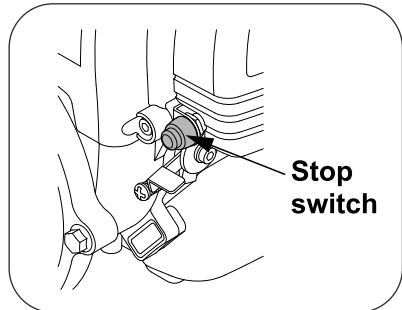
Allow the engine to run several minutes with no load and stabilize its internal temperature.

3

The engine stop switch of the product you purchase may include two statuses due to different product configurations.

Normal status: Press the stop switch until water pump stopped.

CE status: Press down the stop switch to lock the pump. To restart the pump, press the stop switch again to reset the stop switch.



IV. Maintenance

It is the owner's/operator's responsibility to complete all scheduled maintenance in a timely manner. Correct any issue before operating the pump.

WARNING

Improper maintenance or failure to correct a problem before operation can cause a malfunction and result in property damage, serious injury or DEATH.

Improper maintenance will void your warranty.

Always follow the inspection and maintenance recommendations and schedule in this manual.



DANGER

Accidental starts can cause severe injury or death. Remove and ground spark plug wire before performing any service.

1. Maintenance schedule

Stop the pump and let it cool thoroughly before maintaining.

Service the washer in a clean, dry and flat area. Follow the service intervals indicated in the chart below. Service your washer more frequently when operating in adverse conditions. Contact your local service dealer for your washer maintenance needs.

Item (check as Order shows)		Maintain period	Each time before and after use	First month or the first 20h	Every 50h or each 3 months	Every 100h or each 6 months	Every 300h or each year
Fasten parts	Check		√				
oil	Oil level check		√				
	Oil Change			√	√		
Air Filter	Check		√				
	Clean ^{Note1}				√		
	Change ^{Note1}						√
Spark plug	Check and Adjust					√	
	Change						√
Idle speed	Check and adjust ^{Note2}					√	
Valve gap	Check and adjust ^{Note2}					√	
Combustion chamber	Clean ^{Note1}	Clean Every 200h					
Gasket on cylinder	Clean ^{Note1}					√	
Fuel tank	Clean ^{Note1}					√	
Fuel pipe system	Clean ^{Note1}	Clean Every 2 years(change new one if needed)					

pump	Clean ^{Note1}					√
Cooling fan	Check					√
Pump water intake valve	Check					√

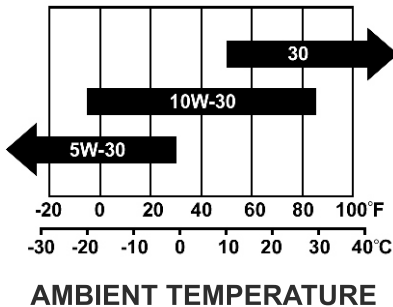
Note 1: More frequent maintaining is required when engine run in the multi-dust or severe condition.

Note 2: All maintaining should be done by experienced users or local authorized dealer.

2. General maintenance

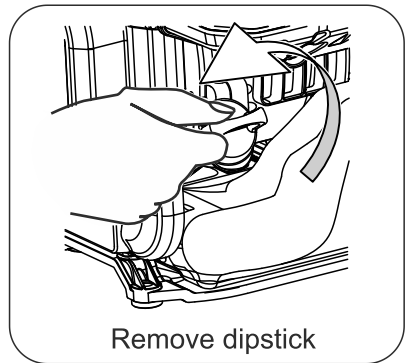
Engine oil

SAE 10W-30 is recommended for general, all-temperature use. Other viscosities shown in the chart may be used when the average temperature in your area is within the indicated range.

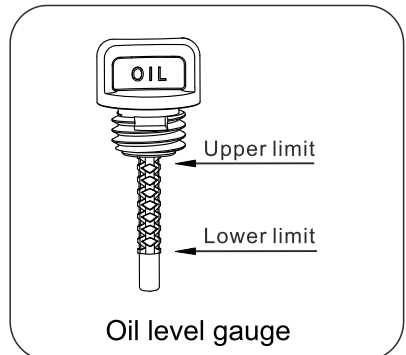


Add oil

1. Place the engine on a level surface.
2. Remove the dipstick and wipe it clean.



3. Add the oil of the recommended type to the upper limit of the dipstick.



⚠ CAUTION

Check oil add limit

Re-insert the dipstick to the oil fill hole and keep it in the neck. Do not screw it into the oil fill.

4. Completely screw the dipstick.

Change oil

⚠ CAUTION

Change oil when the engine is warm from operation.

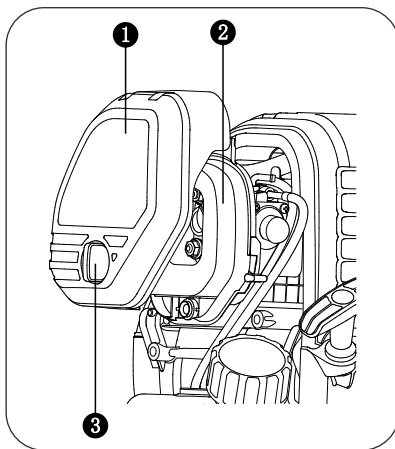
1. Place the engine on a level surface.
2. Clean area around dipstick and drain plug.
3. Remove oil dipstick.
4. Remove the oil drain plug and allow the oil to drain completely.
5. Replace and fully tighten the drain plug.
6. Add recommended oil to the upper limit (see add oil instruction above).
7. Reinstall and fully tighten the dipstick.
8. Dispose of used oil at an approved waste management facility.

⚠ WARNING

This pump engine is not filled with oil at the factory. Any attempt to crank or start the engine before it has been properly filled with the recommended type and amount of oil may result in engine damage and void your warranty.

Air filter

1. Loosen the nut to remove the filter cover.



- ① Air filter cover
- ② Filter element
- ③ Filter lock bolt

2. Remove the filter cover.
3. Remove the filter element.

Put the foam element into hot water with detergent, to throughout dry the element, wrap and press it in the clean and water sucking fabric. After cleaning soak it in the clean oil for a while before wrap and press it in the clean and water sucking fabric again.

4. Reassemble the filter back to the units.

5. Fasten cover with the screw down nut.

⚠ WARNING

DO NOT run the engine without the air filter, serious danger can result.

Spark plug

1. Clean any dirt from the spark plug cap and spark plug base.

2. Remove the spark plug cap.

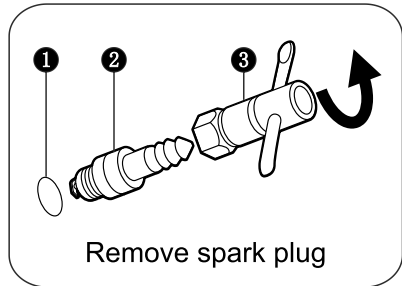
3. Using socket wrench to loose and remove the spark plug.

4. Inspect the spark plug and spark plug washer, if it's damaged or worn, replace with new one. Clean the spark plug with wire brush if reuse it.

5. Check spark plug gap. Carefully bend side electrode to adjust the gap if necessary.

Spark plug gap:

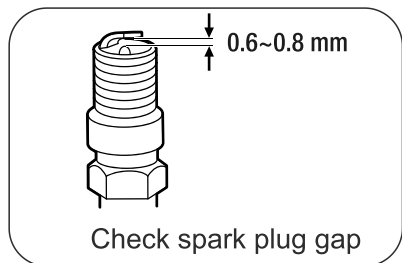
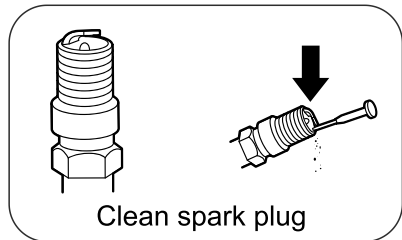
0.6mm - 0.8mm



① Spark plug washer

② Spark plug

③ Spark plug boot



6. Carefully thread the plug into the engine by hand.

7. After the spark plug seated, use spark plug wrench to tighten it.

**Spark Plug tighten Torque:
10-15 N.m**

8. Attach the spark plug boot to the plug.

⚠ WARNING

Only use recommended spark plug or equivalent. DO NOT use spark plugs that have improper heat range.

Adjustment

There has no other service and/or adjustment need for your engine.

Unapproved adjustments or tampering can damage your engine and your electrical devices and will void your warranty. Contact your local dealer for such needs.

⚠ WARNING

Tampering with the factory set governor will damage your engine and void your warranty.



V. Trouble analysis and trouble-shooting

Item	Problem shooting	Solution
Engine can hardly start or cannot start /Low power	Carburetor without fuel	Press carburetor primer until fuel filled in fuel line
	Choke opened	Close the choke
	Carbon store in spark plug	Remove the carbon accumulation
	Spark plug and ignition gap large or small	Adjust the gap to standard value
	Spark plug damage	Change a new one
	Inferior oil or fuel is used.	Change new fuel or oil
	Engine works over loaded or over heated	Check the engine work condition
	Insufficient oil	Add oil to standard level
Pump cannot work or low pressure after engine start	Impurities Filter blocked	Check and remove the impurities
	Insufficient water in pump	Unscrew the rubber plug to fill enough water
	Problem on water pipe like block, loosen, leak and pipe length too long or diameter too narrow.	Check the water pipe and adjust
	Input pipe is not in the water.	Check and put it into water
	Input pipe leak	Check the connecting
	Pump mounting too high	Lower the mounting height
	Engine works low speed	Turn the throttle lever to high speed

If problems still not be solved according to above problem shooting or other problem appears during operation, contact with your local authorized dealer for help. Unauthorized disassemble on the pump will void your warranty.

VI. Storage

The pump should be started at least once every 2 weeks and allowed it run for at least 20 minutes. Follow the instructions below for a long term storage if the pump will be out of service for 2 more months or more longer.



Fire or explosion

Gasoline is highly flammable and extremely explosive. Empty the fuel tank and shut off fuel valve before storing or transporting this pump.

6.Remove the water outlet plug, and clean the pump with pure water, and then drain all the water before reattach the plug.

7.Clean the appearance of the pump and shield the pump in case of dusty accumulation.

8.Store the unit in a clean, dry area, and out of direct sunlight.

1.Remove oil as maintenance and service chapter indicate when pump engine is hot after running.

2.Allow the pump to cool completely.

3.Drain all fuel completely from the fuel tank, fuel hose and carburetor.

4.Remove spark plug and pour about 1 oz. of engine oil into cylinder. Reinstall spark plug. Crank pump slowly to distribute oil and lubricate cylinder.

5.Pull the recoil till resistance is felt.

VII. Specification

Water pump	Industrial model	QGZ25-30B SERIES
	National standard model	QGZ25-6-15 SERIES
	Advertising model	XG10 SERIES
	Sub model	XG10/QGZ25-30B
	Inlet diameter(mm)	25
	Outlet diameter(mm)	25
	Max. flow(m ³ /h)	8
	Max. head(m)	29
	Measured sound pressure level dB(A)	≤90
	Measurement uncertainty dB(A)	≤1.5
	Guaranteed sound power level dB(A)	≤101
	NPSH(m)	≤3.5
	Max. self height(m)	7
	Self-priming time at 5m(s)	≤130
Max. speed(rpm)	8000	
Engine	Engine model	S35
	Type	Gasoline engine
	Max. power(kW)	0.8
	Oil type	SAE10W-30 or higher level
	Fuel capacity(L)	0.6
	Oil capacity(L)	0.07
Whole sets	Net weight/gross weight(kg)	6.5/7
	Total dimension(mm) (L×W×H)	332×246×286

Note: Any engine and related data of pump changes may not be informed. Engine may difference in various area, please contact local authorized dealers for engine information.

VIII. Warranty Service

Thank you for purchasing the General Power serial pumps. All the parts belong to our company when you get them warranty service for quality issue. According to the related stipulation in Consumer Protection Act in People's Republic of China, Please reserve the warranty cards and invoice in case of warranty needed, and we will service you with sincerely faith.

1. For pump of farm-oriented, engine and main parts are warranty for 12 months, easy damage parts are warranty for 3 months, and plastic parts are not in warranty.

Main parts: crankcase and cover, crankcase shaft, flywheel, the pump body and the rack.

Easy damage parts: spark plug, oil sealing, gasket, rubber seal, O-ring seal.

2.All damage caused by quality issue can service freely maintaining during warranty.

3.Certain charges will happen when repairing or maintaining with no invoice or expired warranty.

4.According to country's warranty law, if any exchange or return caused by quality issue happened in 7-day's purchase, it must keep all follows done, such as packed well, completed enclosed parts and completed styling without any artificially damages. Or the customer will respond for the warranty.

5.Please show your purchase invoice and the warranty cards when warranty happens, and fill the warranty card at the Special Maintenance Station. Please reserve the card well in case of warranty and it will never re-get when it lost.

6.All conditions below are not in warranty but can be repaired by certain charge or lifetime service:

A. Warranty card or purchase invoice cannot be provided, except any condition that can show engine is in the warranty.

B. Damages caused by wrong operation, maintenance or storage that is not comply with manual.

C. Damages caused by those conditions where personal damage or Special Maintenance Station service without authorized, as well as using the poor quality substitution.

D. Damages caused by over work condition when operate the engine.

- E. Damage caused by changes without authorized or beyond any rules and law.
 - F. Damages caused by using non-service parts provided by our company.
 - G. Damages caused by not using recommended oil or fuel.
 - H. Defect caused by time goes, such as color faded or paint surface rusted.
 - I. Damages caused by unresistant nature disasters, like earthquake, typhoon, fire hazard and flood.
 - J. Damages caused by smudging, medicine, chemical production or corrosion production.
 - K. Any inconformity between engine and warranty cards or invoice, even changing marks on the warranty or invoice are not in warranty.
 - L. Phenomenon caused by feelings but has no impact on engine performance, like voice, vibration, oil leak)
 - M. Damages caused by storage, transportation, or long-term no operation.
 - N. Engines from abnormal purchase
 - O. Engines that can operate after repairing with warranty expired.
7. Engines that are not operating in the range of visiting service will be charged by Special Maintenance Station according to service distance. Please consult the Special Maintenance Station for more details.