



## SELF PRIMING PUMPS ECOJET

 **DAB PUMPS LTD.**  
Unit 4, Stortford Hall Industrial  
Park Dunmow Road, Bishops Stortford, Herts  
CM23 5GZ - UK  
[info.uk&eire@dwtgroup.com](mailto:info.uk&eire@dwtgroup.com)  
Tel.: +44 1279 652 776  
Fax: +44 1279 657 727


 **DAB PUMPS B.V.**  
Albert Einsteinweg, 4  
5151 DL Drunen - Nederland  
[info.netherlands@dwtgroup.com](mailto:info.netherlands@dwtgroup.com)  
Tel.: +31 416 387280  
Fax: +31 416 387299

 **DAB PUMPS B.V.**  
Brusselstraat 150  
B-1702 Groot-Bijgaarden - Belgium  
[info.belgium@dwtgroup.com](mailto:info.belgium@dwtgroup.com)  
Tel.: +32 2 4668353  
Fax: +32 2 4669218

 **DAB PUMPEN DEUTSCHLAND GmbH**  
Tackweg 11  
D - 47918 Tönisvorst - Germany  
[info.germany@dwtgroup.com](mailto:info.germany@dwtgroup.com)  
Tel.: +49 2151 82136-0  
Fax: +49 2151 82136-36

 **DAB PUMPS INC.**  
3226 Benchmark Drive  
Ladson, SC 29456 USA  
[info.usa@dwtgroup.com](mailto:info.usa@dwtgroup.com)  
Ph. : 1-843-797-5002  
Fax : 1-843-797-3366

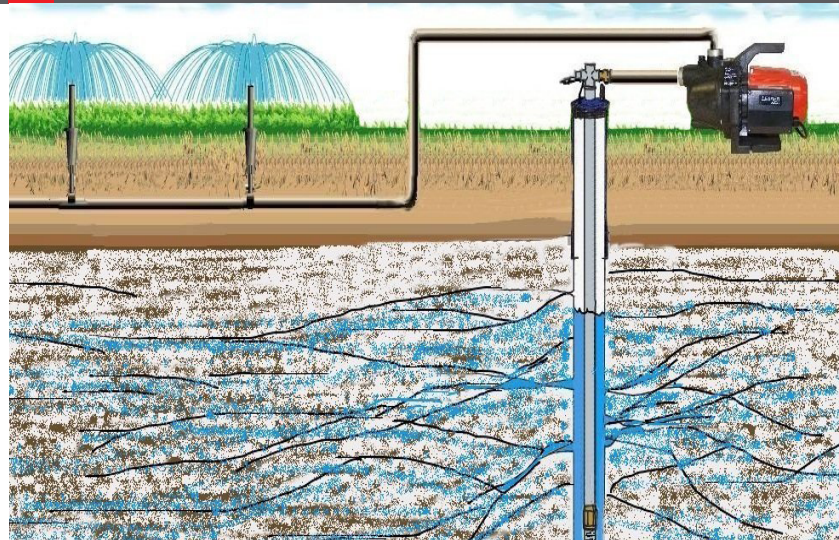
 **DAB PUMPS IBERICA S.L.**  
Parque Empresarial San Fernando  
Edificio Italia Planta 1ª  
28830 - San Fernando De Henares - Madrid  
Spain  
[info.spain@dwtgroup.com](mailto:info.spain@dwtgroup.com)  
Ph.: +34 91 6569545  
Fax: +34 91 6569676

 **DWT GROUP Russia**  
100 bldg. 3 Dmitrovskoe highway,  
127247 Moscow - Russia  
[info.russia@dwtgroup.com](mailto:info.russia@dwtgroup.com)  
Tel.: +7 495 739 52 50  
Fax: +7 495 485-3618

 **DAB PUMPS CHINA**  
Shandong Sheng Qingdao Shi  
Jinji Jishu Kaifaqu Kaituo Rd  
ZIP PC266510  
CN - China  
[info.china@dwtgroup.com](mailto:info.china@dwtgroup.com)  
Tel.: +8613608963089  
Fax: +8653286812210



# ECOJET

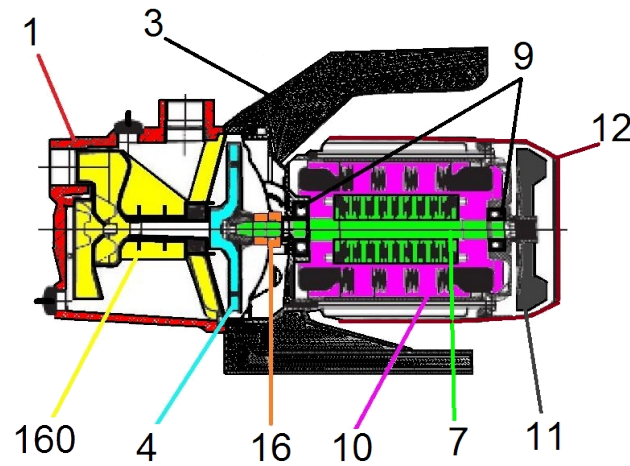


## SELF PRIMING JET PUMPS

### Applications

High reliable self priming JET Pumps with excellent suction capability which allows the free passage of air bubbles, for supplying water for domestic applications.

- \* Pressure Boosting
- \* Residential Homes
- \* Farming Applications
- \* Resedential Irrigation
- \* Garden Irrigation Drip/Low Flow
- \* Hydroponics
- \* Rain Water Harvesting
- \* Water Supply from Shallow Wells



### TECHNICAL DATA

Pos.	Description	Material
1	Pump Body	TECHNOPOLYMER A
3	Pump Support	TECHNOPOLYMER A
4	Impeller	TECHNOPOLYMER A
7	Rotor Shaft	STAINLESS STEEL AISI 416 X12 CrS13
9	Bearings	OVER SIZED, SEALED FOR LIFE
10	Motor Stator	CAST ALUMINIUM
11	Cooling Fan	TECHNOPOLYMER A
12	Fan Cover	TECHNOPOLYMER A
16	Mechanical Seal	CARBON/CERAMIC
160	Venturi Nozzel kit	TECHNOPOLYMER A

### TECHNICAL DATA

#### FEATURES & BENIFITS

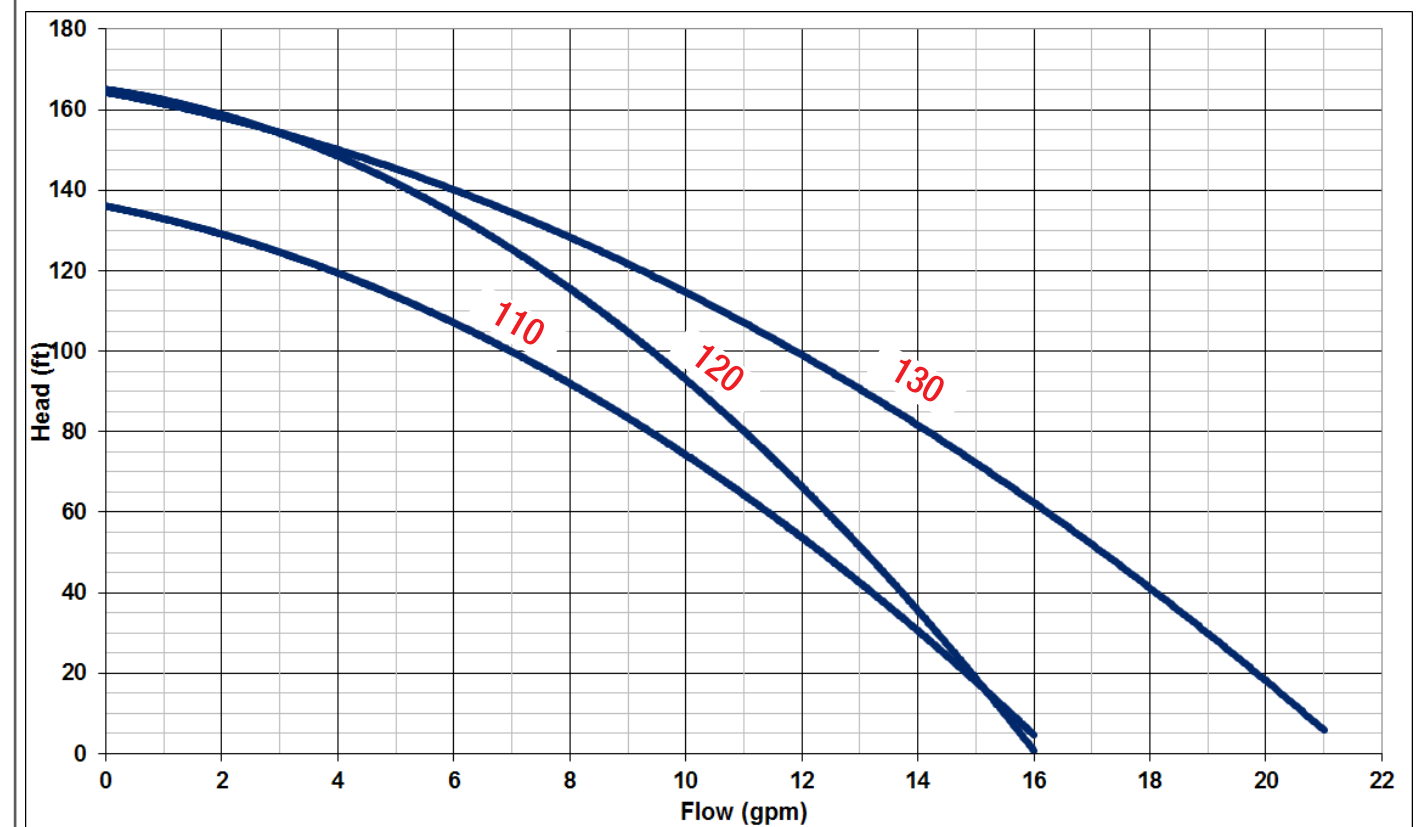
- Can be used with multipul different types of controls
- Anti-corrosive and rust-proof materials
- Motor with thermic overload protection
- Wear resistant shaft and impeller
- Double sealing system between the motor and the hydraulic section
- Resistance to frost and icing
- Manual on /off switch
- Supplied with power cable with plug

# ECOJET HYDRAULIC DATA

### TECHNICAL DATA

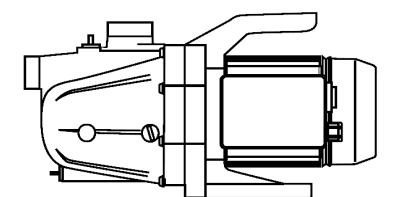
Model	HP	Watts	Volts	Frequency	Amps	Max suction Depth	Max Flow	Max Head	Suction	Discharge
ECOJET 110	1/2	800	115	60 Hz	8	26 ft	16 gpm	138 ft	1"	1"
ECOJET 120	3/4	1000	115	60 Hz	10		16 gpm	164 ft		
ECOJET 130	1	1250	115	60 Hz	13		21 gpm	164 ft		

### TECHNICAL DATA



### DIMENSIONS

Model	Lenght	Depth	Height	Weight	Pallet Qty
ECOJET 110	16.3"	8.3"	10.6"	19 lbs	21
ECOJET 120	16.3"	8.3"	10.6"	20 lbs	
ECOJET 130	16.3"	8.3"	10.6"	23 lbs	



l x d x h