



Technical Data

Vertical Multistage - SBN 120-3

Revision no.

Page:
1

Receiver

From

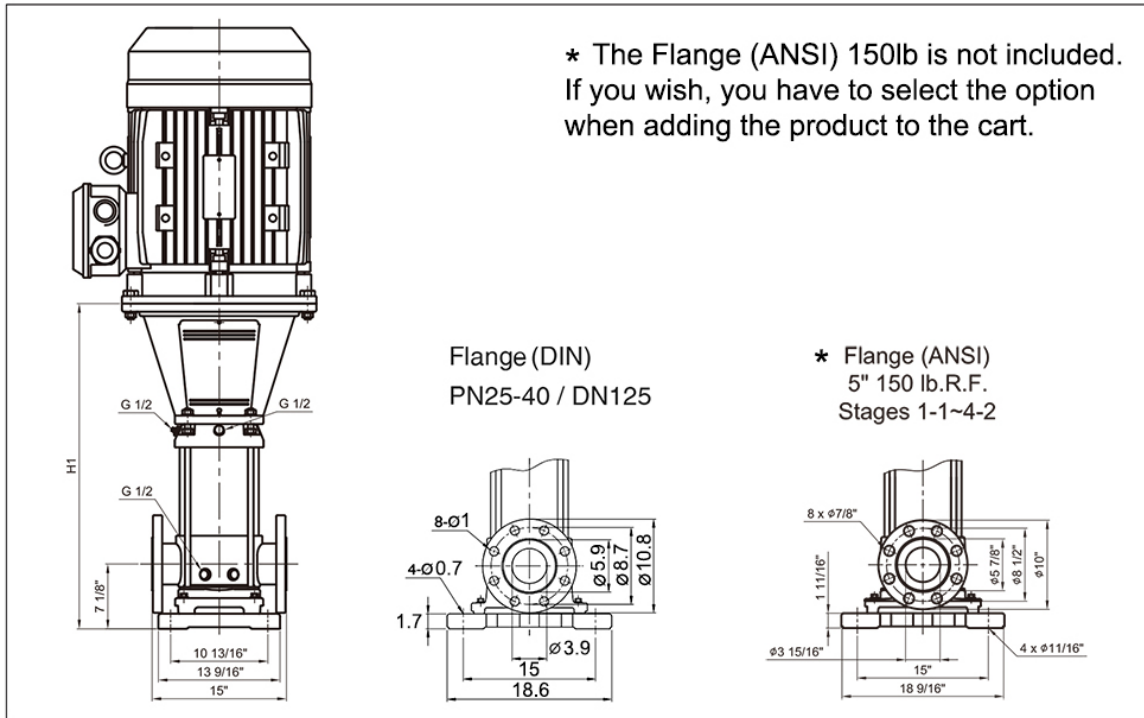
Company name
Respons. Department
Person in charge
Phone number
Fax no
E-mail address



Brand: Gol Pumps
Model: SBN 120-3



Dimensions:



Pump Installation Size (inch)						
DIN Flange		Port Size		D1	D2	Net Weight
H1	H2	DNA	DNM			Lb.
46.4	30.3	5	5	19.1	14	-

Project	Project ID	Created by	Created on	Last update
---------	------------	------------	------------	-------------



Performance Curves

Vertical Multistage - SBN 120-3

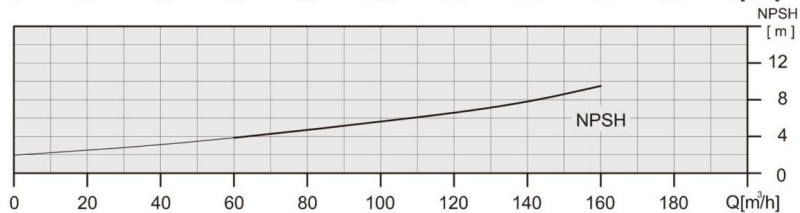
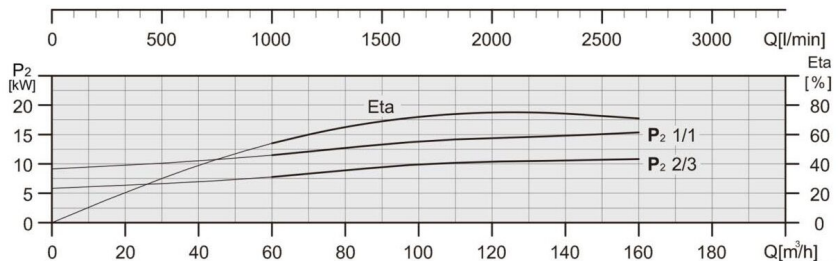
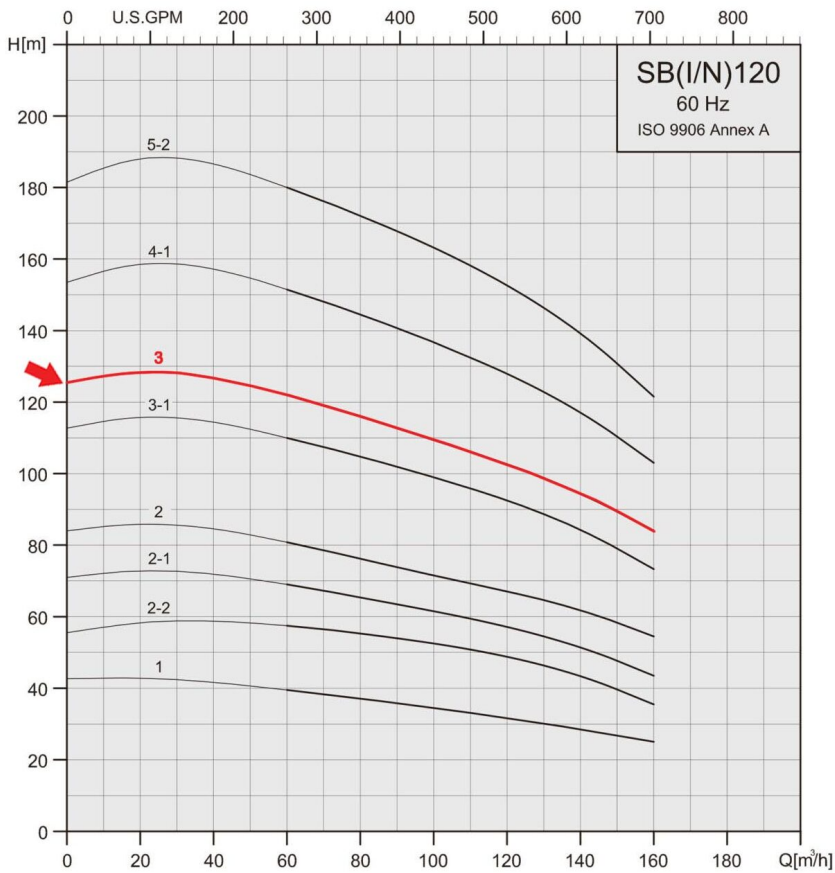
Revision no.

Page:
 2

Receiver	From

Company name
 Respons. Department
 Person in charge
 Phone number
 Fax no
 E-mail address

Model	Port Size (in.)		Flow	HP	Volts	Amps	Phase	Max. Head	Max. Suction	Max. PSI
	DNA	DNM	GPH		V	I Max.	Ph	Ft.	Ft.	
SBN 120-3	5	5	42000	75	460	96	Three	420	17	185



Project	Project ID	Created by	Created on	Last update
---------	------------	------------	------------	-------------



Parts and Materials

Vertical Multistage - SBN 120-3

Revision no.	Page:
	3

	Receiver	From
Company name		
Respons. Department		
Person in charge		
Phone number		
Fax no		
E-mail address		

Parts List	Material	Standard
36 Pump Head	Stainless Steel	AISI 316
53 Motor Bracket (15~60HP)	Cast Iron	ASTM 35B
(75~100HP)	Cast Iron	ASTM 65-45-12
17 Bearing Ring	PTFE	
18 Impeller	Stainless Steel	AISI 316
37 Shaft	Stainless Steel	AISI 316
48 Outer Sleeve	Stainless Steel	AISI 316
82 O-ring for Outer Sleeve	EPDM	
12 Chamber	Stainless Steel	AISI 316
24 Neck Ring	PTFE	
59 Base	Stainless Steel	AISI 316
62 Base Plate	Cast Iron	ASTM 65-45-12
62A Base Plate	Cast Iron	ASTM 65-45-12
57 Mechanical Seal	Cartridge Type	
42 Bottom Bearing Ring	SiC	

Project	Project ID	Created by	Created on	Last update
---------	------------	------------	------------	-------------