

GOL PUMPS



www.golpumps.com



GPQ-GKL-GSTO Manual



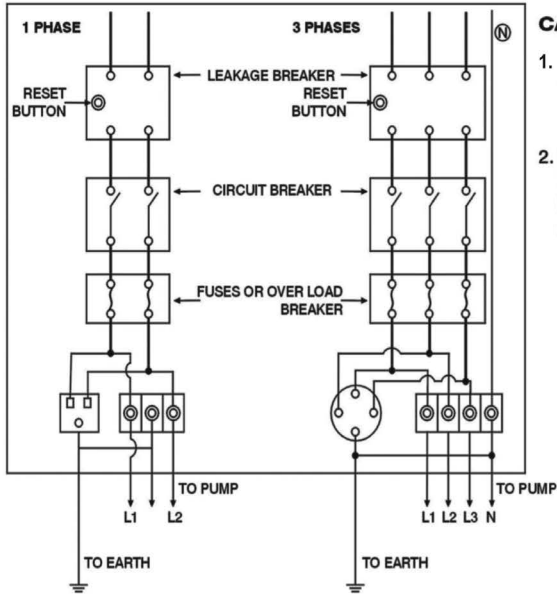
**FOR YOUR SAFETY
PAY ATTENTION TO
THIS MANUAL!**

IMPORTANCES YOU MUST KNOW

- **Electricity is dangerous to LIFE!**
- **Water is a conductor of electricity.**
- **Via the water flow, electricity can be conducted from the pump to any end point of the water!**

WARNING 1

CORRECT WIRING OF THE CONTROL BOX OR CONTROL PANEL



CAUTION :

1. Breakers and fuses should comply with specifications of the pump
2. If the leakage breaker actuated, DO NOT push the "RESET" button immediately; carefully check the circuit and find out problems.

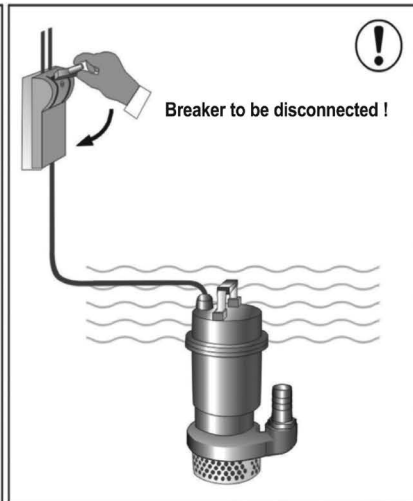
WARNING 2

CONFIRM THE V . A . F

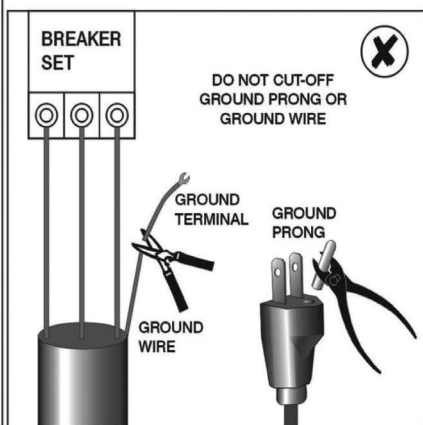
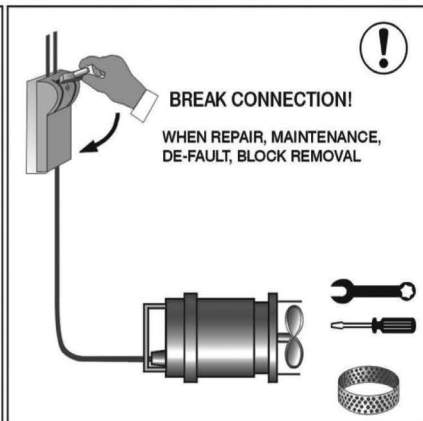
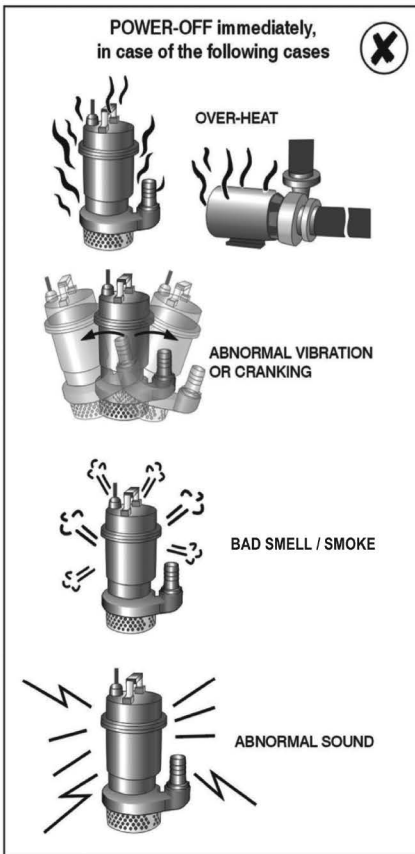
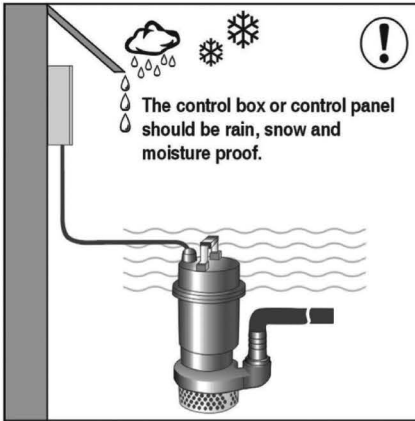
The diagram shows three meters used to confirm the power supply conditions for the pump:

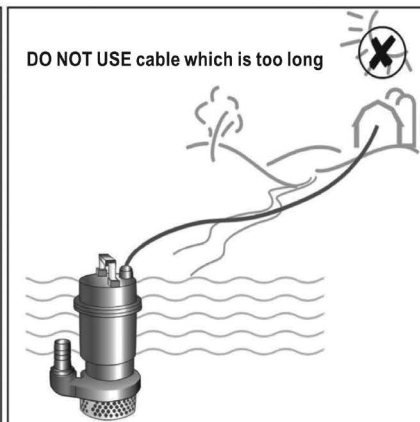
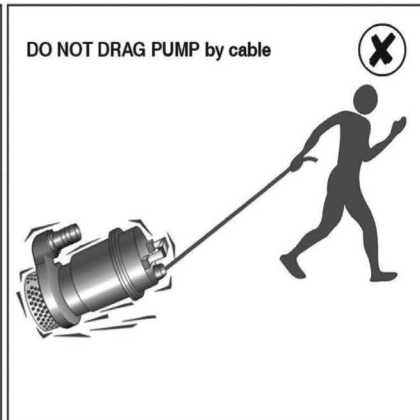
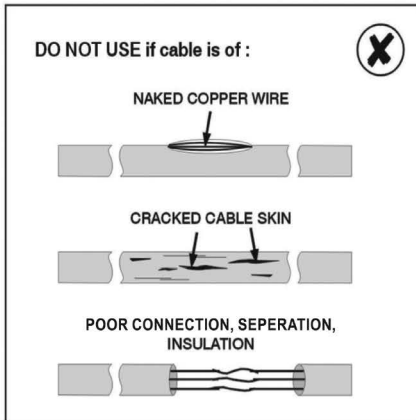
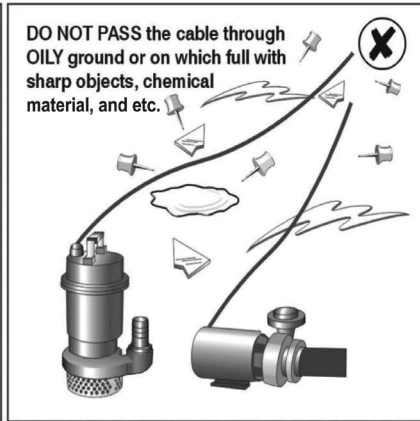
- VOLTMETER:** Shows a needle pointing to a value between 110 and 380. Text: CORRECT VOLTAGE: 110V, 220V OR 380V
- AMMETER:** Shows a needle pointing to a value between 0 and infinity. Text: SUFFICIENT AMPERAGE
- FREQUENCY METER:** Shows a sine wave. Text: CORRECT FREQUENCY (Hz), 50Hz or 60Hz

DISCONNECT SET BREAKER WHEN NOT IN USE



WARNING 3





■ FOREWORD

We appreciate your selection of GOL PUMPS. Before undertaking any operation, please read this manual carefully to ensure the pump is installed correctly and is used safely. If you have any questions regarding damage or technicalities, please contact our authorized dealers, or you may ask the technicians who are specialized in electric machineries. To ensure the pump is in good condition, please use correctly. Please keep this manual in an easily accessible location.

Before installing this pump make sure you read and follow these instructions.

WARNING

1. The pump is not to be used by persons (including children) with reduced physical, sensory or mental capabilities, or lack of experience and knowledge.
It must be installed by a qualified electrician.
2. The pump must be connected to an approved electrical box as per the local electrical code.
3. If the supply cord is damaged, it must be replaced by the manufacturer, its service agent or similarly qualified persons in order to avoid a hazard.
4. The electrical box must have a motor-control switch.
5. If the pump is not provided with motor protection, the pump must be protected from overload and overcurrent as per the local code during the installation
6. If the pump is intended for sewage purpose, then the tank is to be vented in accordance with local plumbing codes

WARNING

7. The pump is not to be installed in locations classified as hazardous in accordance with the National Electrical Code, ANSI/NFPA 70.

CAUTION

8. Risk of electric shock. Do not remove cord and strain relief.
Do not connect conduit to pump. (for three phase cord-connected submersible pumps)

CAUTION

9. This pump has been evaluated for use with water only.
10. Maximum pumping water temperature is 40°C

■ GROUNDING INSTRUCTIONS (for cord and plug-connected pumps)

WARNING

Risk of electric shock - this pump is supplied with a grounding conductor and grounding-type attachment plug. To reduce the risk of electric shock, be certain that it is connected only to a properly grounded, grounding-type receptacle.

■ OPERATION INSTRUCTION

(A) Note before using

1. Use the pump handle to carry the pump. Never pull the cable to move or install the pump. Pulling the cable may result in electricity leakage.
2. Properly locate the pump during the transportation, and ensure the pump is not cracked.
3. Please install a “Ground Fault Circuit Interrupter” in circuit to ensure the safe operation. The “Ground Fault Circuit Interrupter” is of importance during long-term use as the cable may have a defect on the surface.
4. Confirm the supply voltage and frequency comply with specified voltage and frequency on the nameplate.
5. Check the pump is running normally when the power turns on. If the pump can not run smoothly, please check whether the impeller is squeezed because of rust.
6. Whether the pump is single phase or three phase, they should rotate in a clockwise direction when viewing from the motor end. Confirm the motor is rotating in clockwise direction
 - ① Single phase motor : it has a fixed rotating direction in spite of cable connection,
 - ② Three phase motor : if the motor runs reversely , it only needs to interchange two(2) of three(3) wires respectively in the power supply terminal connection.

Note: If the motor turns reversely, abnormal sound and vibration could be noticed; and the water volume is obviously reduced. Also the motor's service life will be shortened.

(B) Note in using

No matter what kind of pump, it always accompanies with a normal sound while the pump works. Any abnormal sound, vibration, amperage, or less water is the signal of latter breakdown. Please stop the pump at once by switching off the power. Refer to the next page for trouble-shooting.

(C) Notes after using

1. Do not leave the pump in water when the pump is not being used for a certain period of time, so as to prevent inside/outside being rusted caused by water.
2. Wash the pump in clean water by running it for a few minutes; clean up material in strainer or on impeller. Store the pump in dry place after fully dried.

Note: Be sure to perform a trial operation before reinstalling the pump.

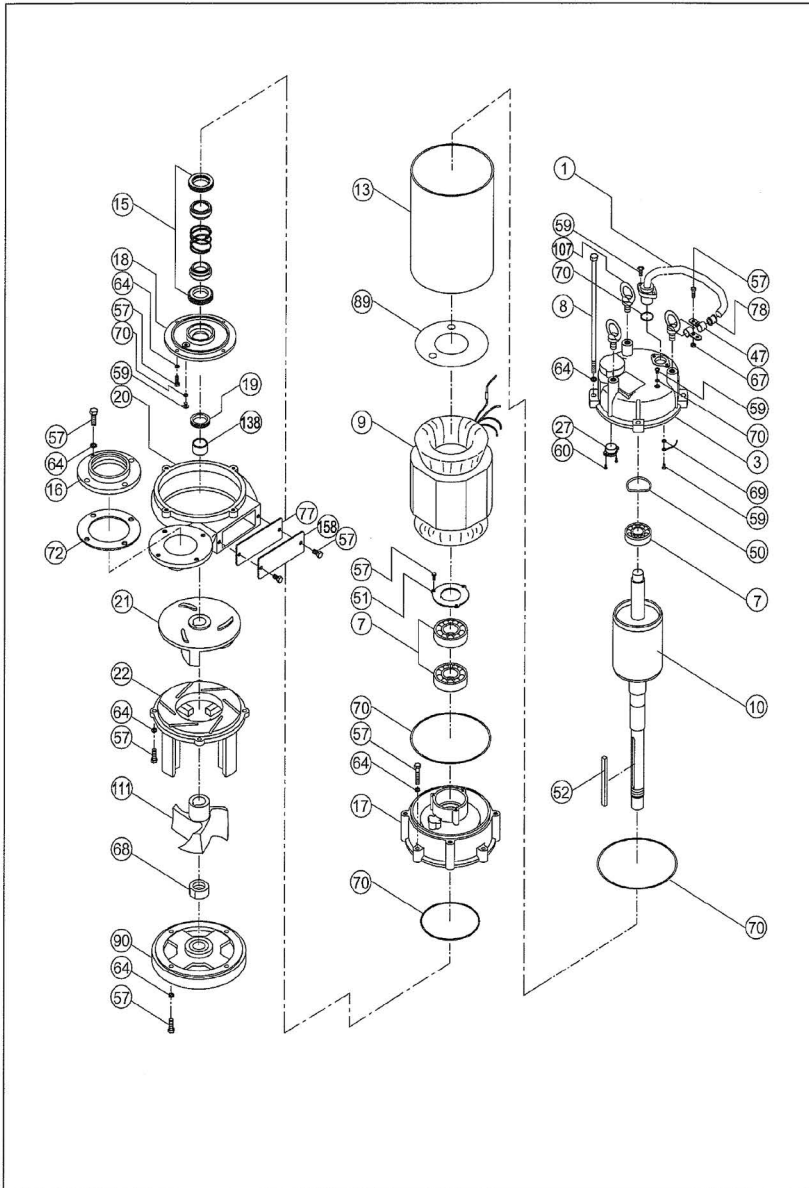
■ WARRANTY

1. All of our distributors will reserve sufficient spare parts for servicing the customers. This will provide the users with quick, better replacement and maintenance.
2. Any failure caused by human-error, incorrect power source or natural disaster is out of our liability of warranty.

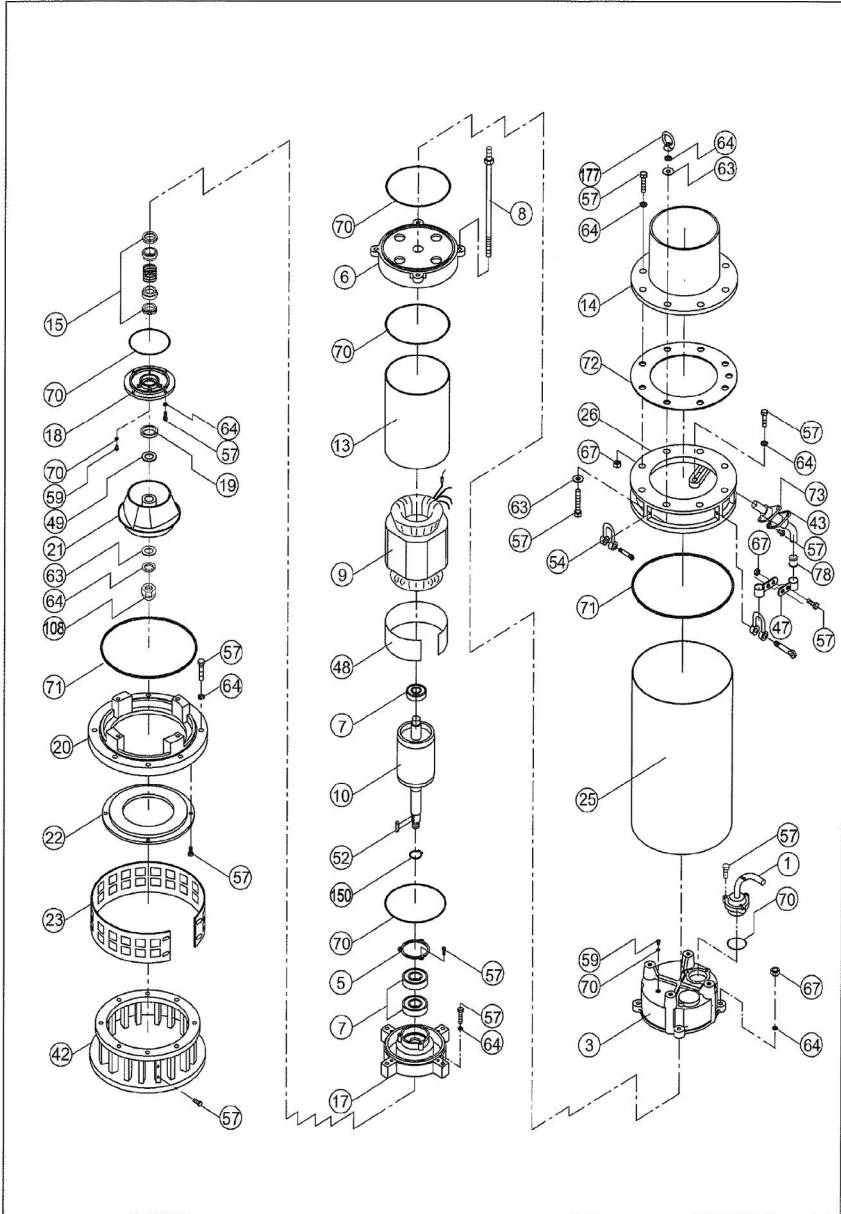
■ TROUBLE-SHOOTING

PROBLEM	CAUSES	REMEDY
Pump Fails to Start	Open circuit	Check circuit lines voltage
	Poor power source	Check circuit line wires & cable
	Low voltage	Check line wires and source voltage
	Broken or inner broken cable	Replace new cable
	Locked impeller	Remove the obstruction from pump casing.
	Insufficient phase of the power	Check the current and wires of each phase
Motor Protector Holding On or No Function	Overburden due to heavy sand water	Use water filter or replaced by a higher power pump
	Overburden due to high viscosity water	Add more water to the pumping water or replaced by a higher power pump
	Locked impeller	Clean up pump casing
	Insufficient phase of the power	Check the current and wires of each phase
	Wrong power supply	Check power supply source and voltage
	Motor Protector Malfunction	Replace a new one or adjust
	Protector burnt out	Replace a new one
Insufficient Water Volume	Wearing out of impeller	Replace a new impeller or a suction cover.
	Locked impeller by rags or other material	Clean up
	Pipe is broken	Repair the pipe
	Low power voltage	Check power voltage, wires and cable condition
	The strainer is buried or obstructed	Remove the obstruction
	Reverse running	Change one phase with the other phase of the power line
Abnormal Sound	Bearing worn out	Replace a new one
	Impeller broken	Replace a new one or repair it
	Reverse running	Change one phase with the other phase of the power line
Leakage Water in Motor Casing	Motor casing is broken	Repair or replace a new casing
	Mechanical seal is worn out	Replace a new one
	Displacement of mechanical seal	Adjust it to the proper position
	Broken cable joint	Replace new one
	Oil seal or gasket worn out	Replace new one

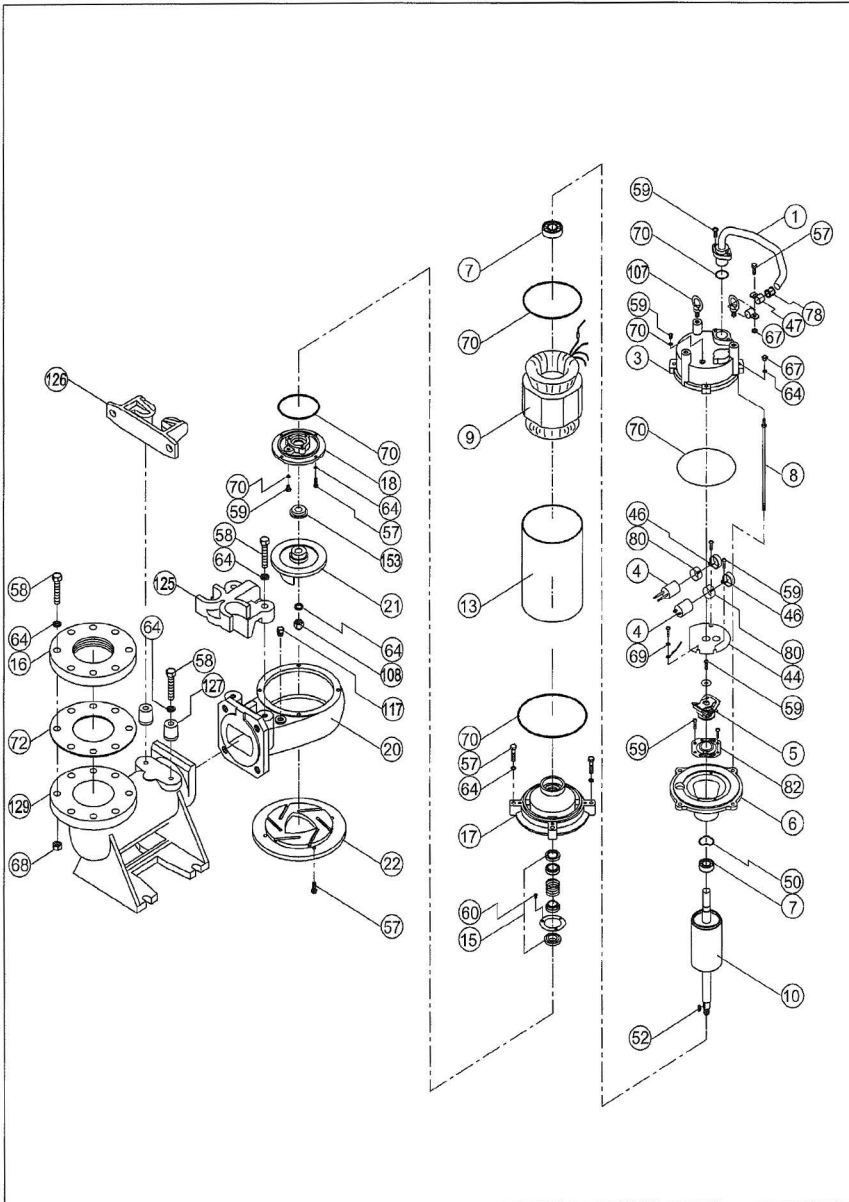
■ EXPLODED DIAGRAM: GPQ (3 Phase)



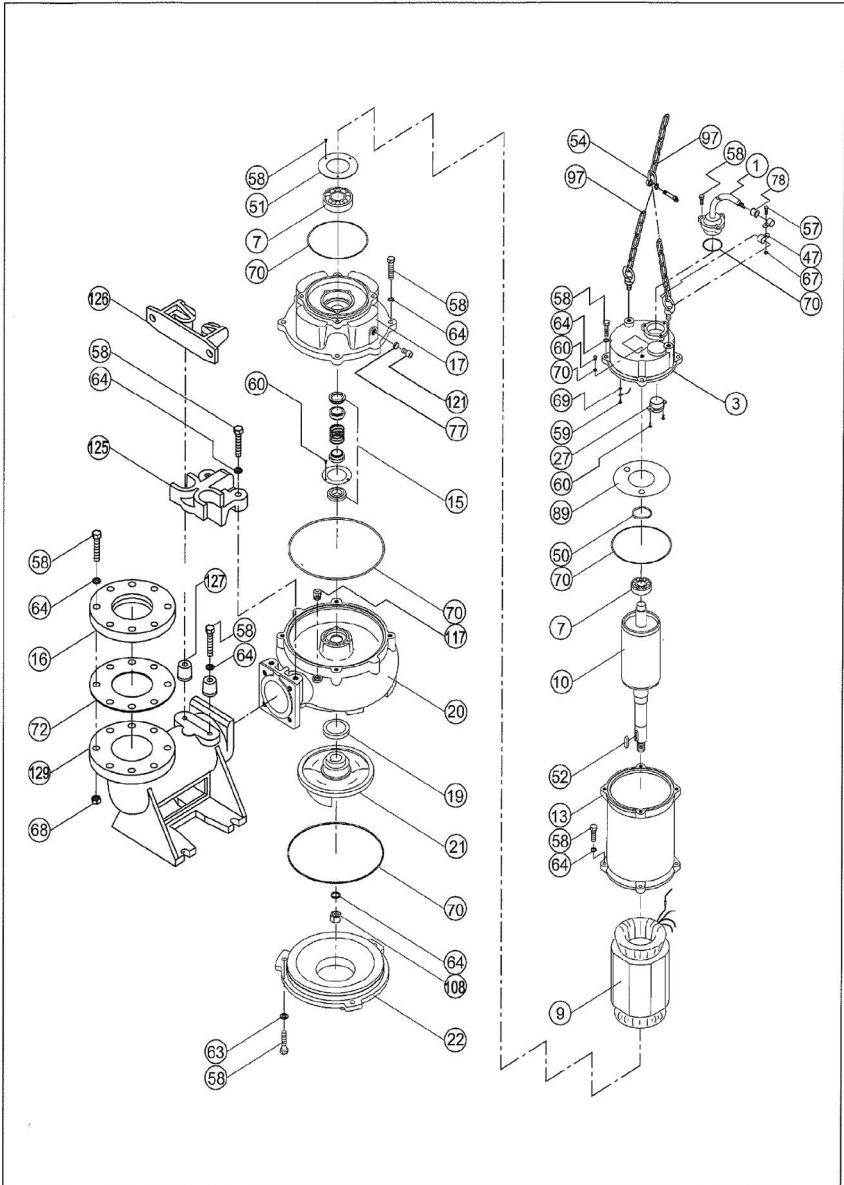
■ EXPLODED DIAGRAM:GKL (3 Phase)



■ EXPLODED DIAGRAM:GSTO (1 Phase)



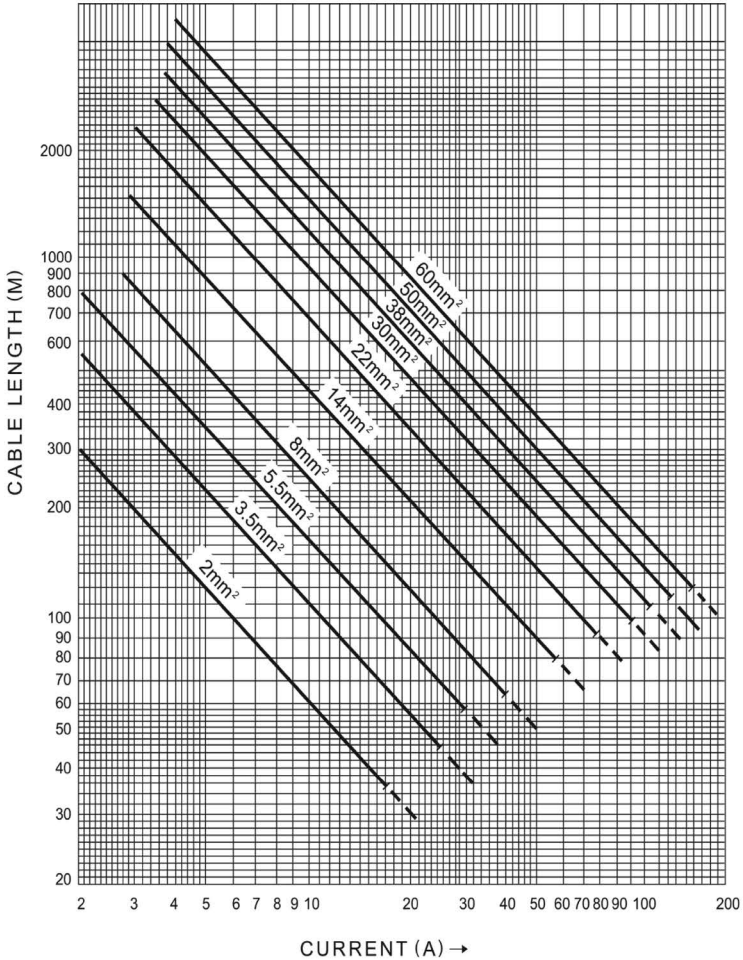
■ EXPLODED DIAGRAM:GSTO (3 Phase)



CAPACITY VS CABLE LENGTH

To minimize the voltage drop of the power cable, the following chart gives the proper choice of cable length and its safe current capacity.

Cable Temp. : 30°C Voltage drop : 5%



Dotted Line shows the condition of dangerous use.



www.golpumps.com
info@golpumps.com





G.P.T.CO

www.golpumps.com
info@golpumps.com



3750 NW 114 AVE #6
MIAMI , FL 33178
PH : +1(786) 615 8984
FAX : +1(786) 615 7043