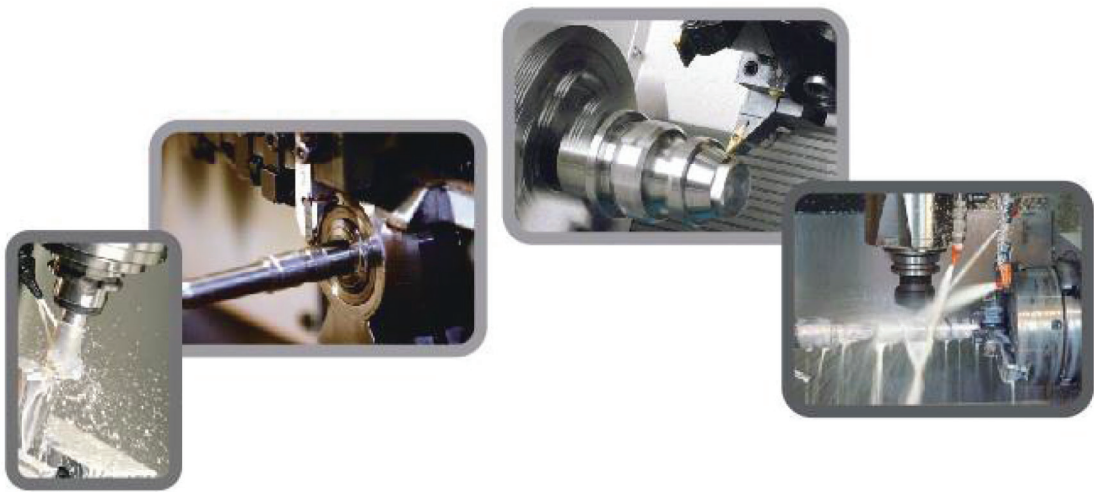


# SPC series

---

Operation Manual  
SPC Coolant Pump



SPC-2



SPC-4



SPC-8

※Please read this instruction manual carefully before installing your new system as failures caused by incorrect installation and operation are not cover by the warranty.

## 1. Application

The SPC Series coolant pump is design for the circulation and spraying of cooling lubricants, especially for machine tools.

This series may use on all machine tools performing Turning, Milling, Drilling, Cutting, Slitting, Grinding etc. operation.

It is suitable to carry liquids such as water, coolant, light oil and other clean, non aggressive matters.

## 2. Operating Limits

1. Ambient temperature : Max. +40°C
2. Liquid temperature range : 0°C to 90°C
3. Operating pressure : Max. 10 kg/cm<sup>2</sup>
4. Head : 50Hz : Up to 12M  
60Hz : Up to 16.5M

## 3. Installation

※The pump has hot surface on the motor. It must be installed so that persons cannot accidentally come into contact the hot surface.

### 3.1. Pump location

Note : The pumps can only be mounted in vertical position, see fig.1.

### 3.2. Submerged depth : L (mm)

To avoid dry running and damage the pump during operation, the minimum pump submerged depth as follows. fig.2.

Model	SPC- 2	SPC- 4	SPC- 8
L (mm)	50	55	60

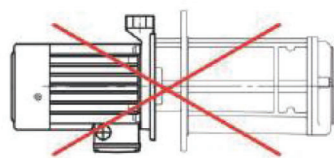
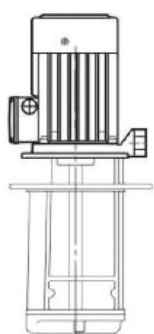


fig.1

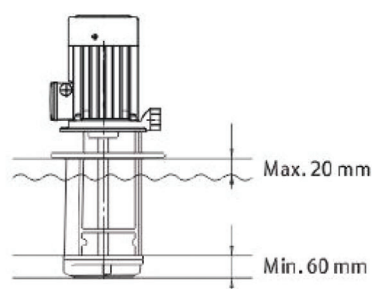
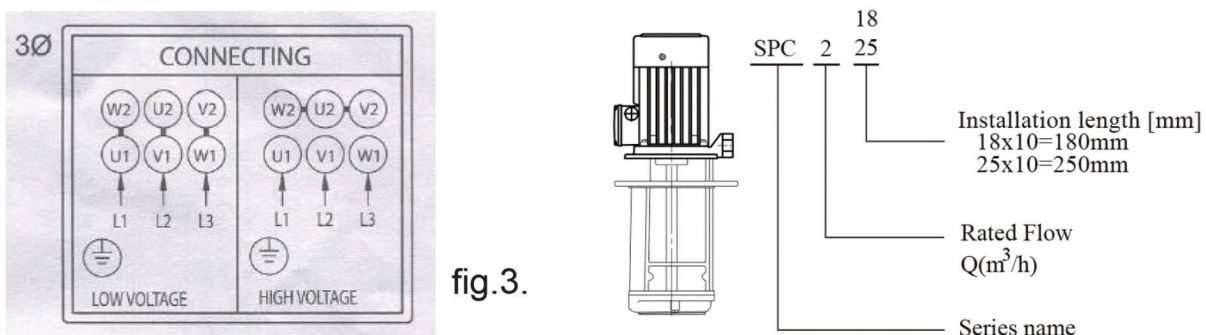


fig.2

## 4. Electrical Connection

- 4.1 The electrical connection should be carried out in accordance with local regulations. Never make any connections unless the electricity supply has been switched off.
- 4.2. The electrical hazard warning mark is placed outside the connection box. Be careful.
- 4.3. Electrical data (voltage and frequency) are shown on the pump nameplate. Verify if these data match your electricity supply. A Residual current device (RCD, 30mA) should be installed and the grounding be properly connected for your safety.
- 4.4. Motors must be connected to a motor-protective circuit breaker which can be manually reset. Set the motor-protective circuit breaker according to the rated current of the motor. See nameplate. Make electrical connection in accordance with connecting diagram located inside the connection box. The motor current must be within the rated amps range indicated on nameplate. Three phase motor requires a magnetic starter for safety.
- 4.5. For three phase motors, look down from the fan cover the correct direction of rotation is rotate clockwise. If wrong rotation, you can reverse the direction of rotation by interchanging any two of the incoming supply wires. fig.3.
- 4.6. Motors must equipped overload protector and open-phase protector to avoid motor damage.



## 5. Start-up

Before starting the pump, make sure the following:

- 5.1. For three phase motors, verify if the rotating direction is correct. It should be clockwise, look down from the motor fan cover.
- 5.2. All piping joints are completely tight. Leakage in piping may cause the pump hydraulic loss.
- 5.3. The pump is filled with liquid.
- 5.4. The suction filter is not blocked by any foreign objects.

## 6. Operation and Maintenance

✘ It is dangerous to operate the pump against a closed discharge outlet because it will cause extremely high liquid flow temperature and damage the pump in a few minutes.

### Periodic checks

The following checks should be carried out periodically to ensure the normal operation.

- 6.1. Check the quantity of liquid and operating pressure.
- 6.2. Check there are no leaks on piping joints.
- 6.3. Check the tripping of the motor starter.
- 6.4. Check that all controls are functioned normally.
- 6.5. The pump must not be used to transfer explosive liquids. In systems with hot liquids (over 60°C), extra caution should be exercised to prevent from personal injury.
- 6.6. The pump should not be used to transfer toxic or contaminated liquids. Please carefully follow all instructions in the manual as Walrus may refuse to accept the contaminated pump for servicing.

## 7 Fault finding

(Make sure electricity supply has been switched off before attempting to diagnose any fault)

Fault	Cause
1. Motor does not start	a. No electricity supply
	b. Fuses are blown.
	c. Motor overheating relay tripped.
	d. Defective magnetic contactors.
	e. Control circuit malfunction.
2. Motor cut out during operation.	a. Fuses blown or breakers tripped.
	b. Overheating relay tripped.
	c. Control circuit malfunction.
	d. Pump locked up by foreign objects.
3. Pumped capacity is not constant.	a. Pump impeller blocked by impurities.
	b. Insufficient liquid level in the tank. (See Sec. 4.2)
4. Pump runs but gives no liquid.	a. Impellers damage.
	b. Liquid level is too low. (See Sec. 4.2)
	c. Incorrect rotating direction.