

# DATA SHEET



## Single Phase Induction Motor - Squirrel Cage

Customer :					
Product line : W22 JM Pump Single-Phase		Product code : 14427977		Catalog # : 00536ES1B184JM-W22	
Frame : 182/4JM	Output : 5 HP (3.7 kW)	Poles : 2	Frequency : 60 Hz	Rated voltage : 115/208-230 V	
Rated current : 41.1/22.1-20.8 A	L. R. Amperes : 358/192-181 A	LRC : 8.7x(Code K)	No load current : 16.8/0.000-8.60 A	Rated speed : 3515 rpm	
Slip : 2.36 %	Rated torque : 7.47 ft.lb	Locked rotor torque : 320 %	Breakdown torque : 320 %	Insulation class : F	
Service factor : 1.15	Moment of inertia (J) : 0.1898 sq.ft.lb	Locked rotor time : 10s (cold) 6s (hot)	Temperature rise : 80 K	Duty cycle : Cont.(S1)	
		Ambient temperature : -20°C to +40°C	Altitude : 1000 m.a.s.l.	Protection degree : IP55	
		Cooling method : IC411 - TEFC	Mounting : F-1	Rotation <sup>1</sup> : Both (CW and CCW)	
		Starting method : Direct On Line	Approx. weight <sup>2</sup> : 103 lb		
Output	25%	50%	75%	100%	
Efficiency (%)	0.000	78.0	82.5	84.0	
Power Factor	0.00	0.78	0.87	0.89	
Foundation loads					
Max. traction : 101 lb					
Max. compression : 204 lb					
		<u>Drive end</u>	<u>Non drive end</u>		
Bearing type	:	6307 ZZ	6206 ZZ		
Sealing	:	V'Ring	V'Ring		
Lubrication interval	:	0 h	0 h		
Lubricant amount	:	0 g	0 g		
Lubricant type	:	Mobil Polyrex EM			
Notes					
This revision replaces and cancel the previous one, which must be eliminated. (1) Looking the motor from the shaft end. (2) Measured at 1m and with tolerance of +3dB(A). (3) Approximate weight subject to changes after manufacturing process. (4) At 100% of full load.			These are average values based on tests with sinusoidal power supply, subject to the tolerances stipulated in NEMA MG-1.		
Rev.	Changes Summary		Performed	Checked	Date
Performed by					
Checked by				Page	Revision
Date	12/03/2025			1 / 1	

1 2 3 4 5 6

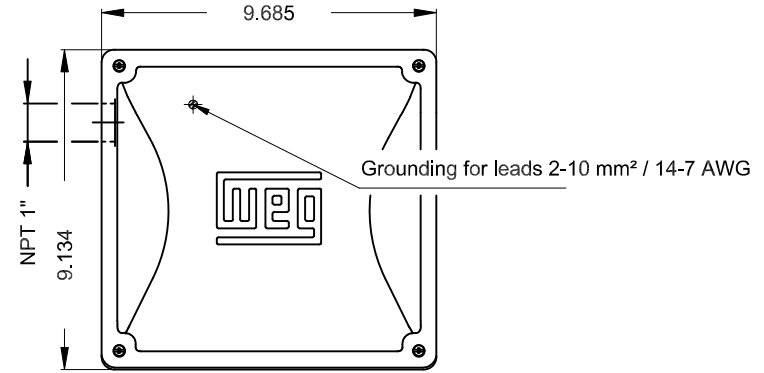
A

B

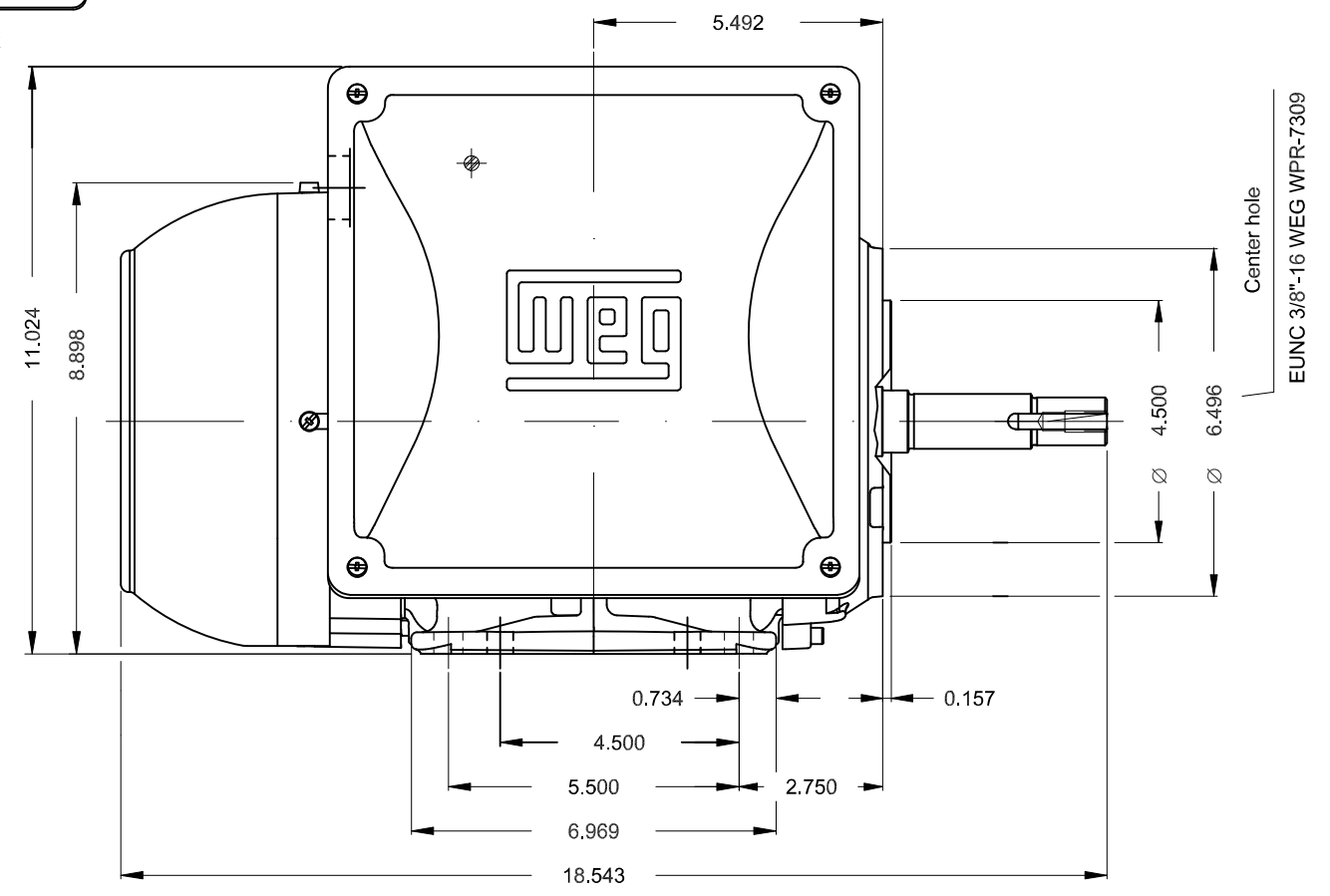
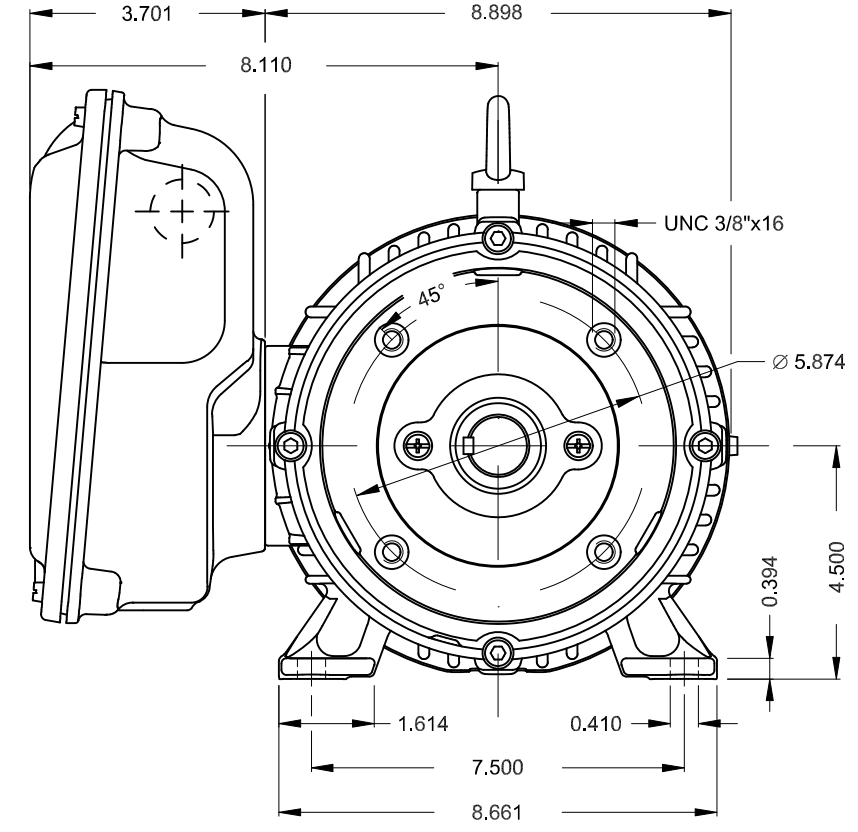
C

D

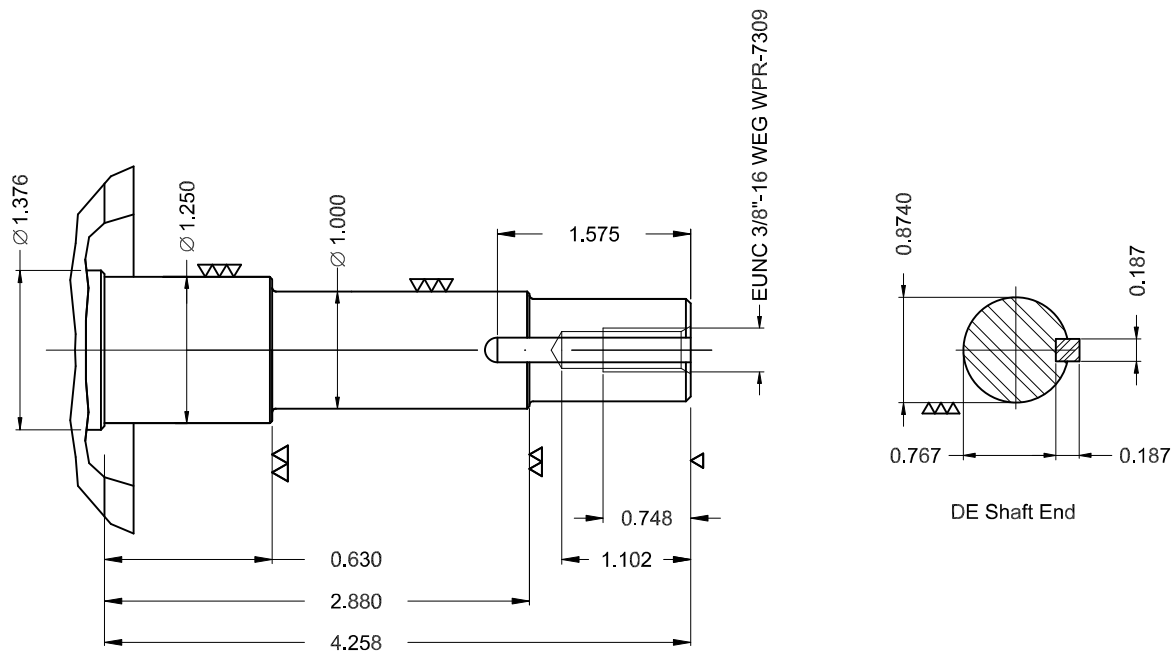
E



Main terminal box



Center hole  
EUNC 3/8"-16 WEG WPR-7309



Mounting NEMA F-1													
Mounting B34D													
ECM		LOC		SUMMARY OF MODIFICATIONS				HYBRISUSER				00	
EXECUTED	HYBRISUSER	SINGLE PH. MOTOR W22 PUMP JM				EXECUTED	CHECKED	RELEASED	DATE	VER			
CHECKED		FRAME 182/4JM IP55 TEFC				PREVIEW							
RELEASED						WDD		00					
REL. DATE		WMO Jaragua do Sul				Product Engineering		SHEET		1 / 1			

5 HP 02 Poles 60 Hz

A





Mod. ME1BFOXOX

MADE IN BRAZIL  
14427977

MODEL 00536ES1B184JM-W22

Electric Motor  
Severe Duty

PH1 60Hz Fr. 182/4JM 1000m.a.s.l. IP55 TEFC 111lb

V 115/230

A 41.1/20.8

HP 5.0

kW 3.7

SF 1.15

SFA

RPM 3515

PF 0.89

AMB 40°C

INS cl. F DT80K

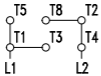
NEMA NOM EFF 84.0%

DUTY CONT.

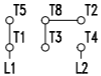
DES - Code K

USABLE @208V 22.1A SF 1.00

TO REVERSE ROTATION INVERT T5 AND T8



LOW VOLTAGE



HIGH VOLTAGE



MOBIL POLYREX EM