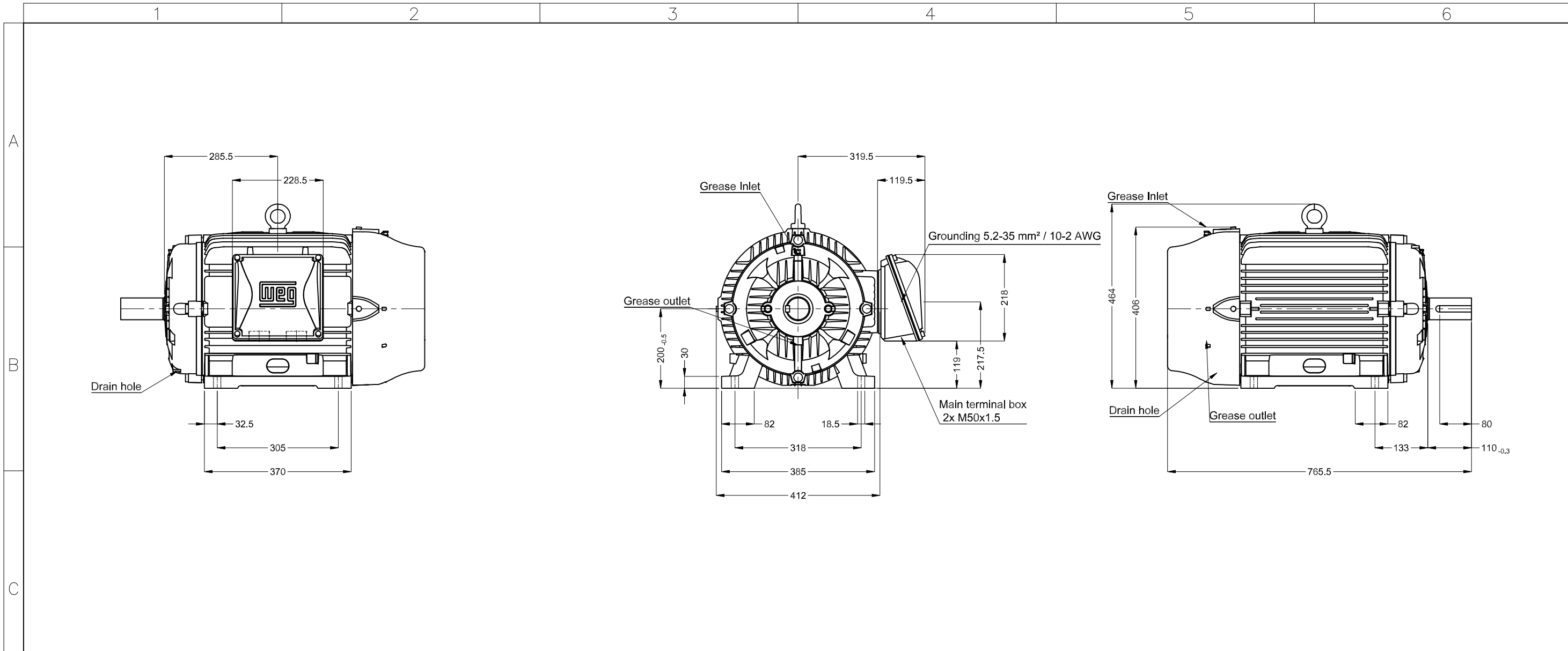


DATA SHEET

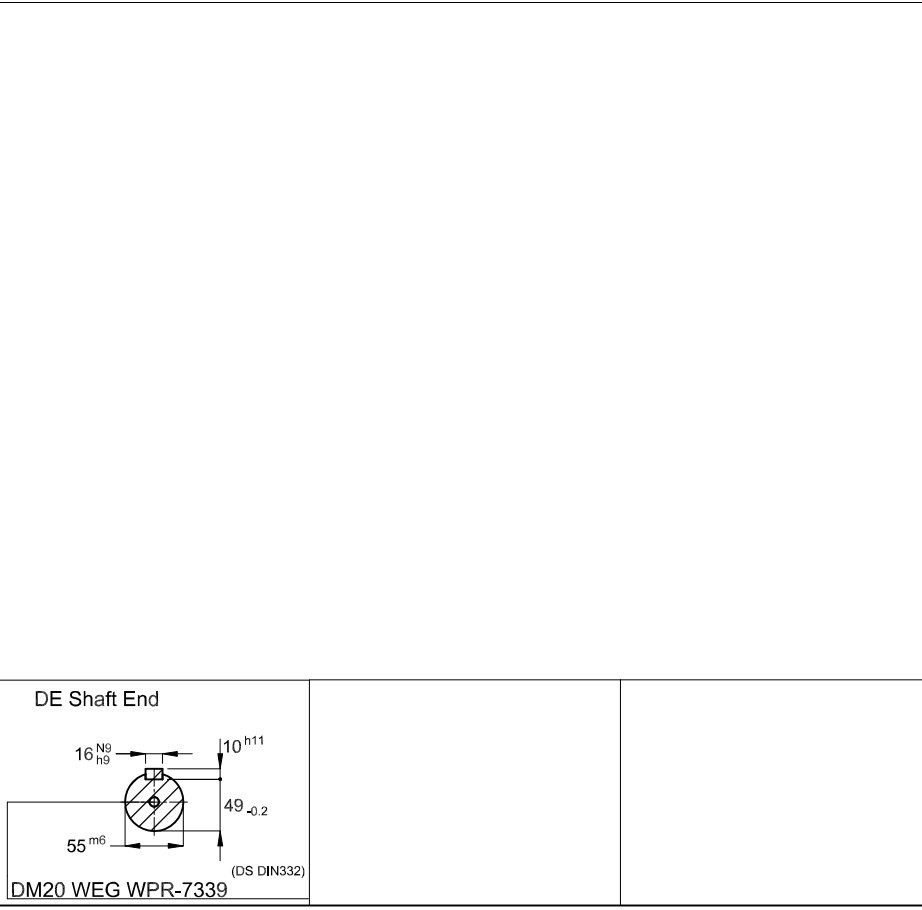


Three Phase Induction Motor - Squirrel Cage

| | | | | | | |
|--|-----------------|----------------------------------|------------------|--|---------------|----------------------|
| Customer : | | | | | | |
| Product line | | : W22 Tru-Metric IE3 Three-Phase | | Product code : | | 11586869 |
| | | | | Catalog # : | | 01812ET3Y200L-W22 |
| Frame | : | 200L | | Locked rotor time | : | 45s (cold) 25s (hot) |
| Output | : | 25 HP (18.5 kW) | | Temperature rise | : | 80 K |
| Poles | : | 6 | | Duty cycle | : | S1 |
| Frequency | : | 60 Hz | | Ambient temperature | : | -20°C to +40°C |
| Rated voltage | : | 460 V | | Altitude | : | 1000 m.a.s.l. |
| Rated current | : | 31.6 A | | Protection degree | : | IP55 |
| L. R. Amperes | : | 224 A | | Cooling method | : | IC411 - TEFC |
| LRC | : | 7.1 | | Mounting | : | B3L(E) |
| No load current | : | 15.4 A | | Rotation ¹ | : | Both (CW and CCW) |
| Rated speed | : | 1184 rpm | | Noise level ² | : | 62.0 dB(A) |
| Slip | : | 1.33 % | | Starting method | : | Direct On Line |
| Rated torque | : | 111 ft.lb | | Approx. weight ³ | : | 516 lb |
| Locked rotor torque | : | 270 % | | | | |
| Breakdown torque | : | 320 % | | | | |
| Insulation class | : | F | | | | |
| Service factor | : | 1.25 | | | | |
| Moment of inertia (J) | : | 9.16 sq.ft.lb | | | | |
| Design | : | N | | | | |
| Output | 50% | 75% | 100% | Foundation loads | | |
| Efficiency (%) | 91.0 | 91.7 | 93.0 | Max. traction : 1102 lb | | |
| Power Factor | 0.61 | 0.73 | 0.79 | Max. compression : 1618 lb | | |
| Losses at normative operating points (speed;torque), in percentage of rated output power | | | | | | |
| P1 (0,9;1,0) | P2 (0,5;1,0) | P3 (0,25;1,0) | P4 (0,9;0,5) | P5 (0,5;0,5) | P6 (0,5;0,25) | P7 (0,25;0,25) |
| 7.2 | 5.6 | 5.0 | 4.2 | 2.7 | 2.0 | 1.3 |
| | | | <u>Drive end</u> | <u>Non drive end</u> | | |
| Bearing type | : | 6312 C3 | | 6212 C3 | | |
| Sealing | : | V'Ring | | V'Ring | | |
| Lubrication interval | : | 20000 h | | 20000 h | | |
| Lubricant amount | : | 21 g | | 13 g | | |
| Lubricant type | : | Mobil Polyrex EM | | | | |
| Notes | | | | | | |
| This revision replaces and cancel the previous one, which must be eliminated. (1) Looking the motor from the shaft end. (2) Measured at 1m and with tolerance of +3dB(A). (3) Approximate weight subject to changes after manufacturing process. (4) At 100% of full load. | | | | These are average values based on tests with sinusoidal power supply, subject to the tolerances stipulated in NEMA MG-1. | | |
| Rev. | Changes Summary | | | Performed | Checked | Date |
| Performed by | | | | | | |
| Checked by | | | | | Page | Revision |
| Date | 10/03/2025 | | | | 1 / 1 | |



Without vertical jackscrews
 Color RAL 5009
 Painting plan 203A
 Mounting B3L(E)



| | | | |
|-------------------------|------------|-------------|-----|
| 25 HP 06 Poles 60 Hz | | A | |
| Scale 1 : 10 | | | |
| ECM | LOC | HYBRISUSER | |
| EXECUTED | HYBRISUSER | EXECUTED | 00 |
| CHECKED | | CHECKED | |
| RELEASED | | RELEASED | |
| REL. DATE | | DATE | VER |
| THREE PH. MOTOR W22 IE3 | | PREVIEW | |
| FRAME 200L IP55 TEFC | | WDD 00 | |
| | | SHEET 1 / 1 | |

Dimensions in mm