

# DATA SHEET

## Single Phase Induction Motor - Squirrel Cage



Customer : WEG ELECTRIC CORPORATION - WEC

Product line : W22

|                       |                   |                             |                         |
|-----------------------|-------------------|-----------------------------|-------------------------|
| Frame                 | : 80              | Locked rotor time           | : 9 s (hot) 16 s (cold) |
| Output                | : 0.75 kW         | Temperature rise            | : 80 K                  |
| Poles                 | : 2               | Duty cycle                  | : S1                    |
| Frequency             | : 60 Hz           | Ambient temperature         | : -20 °C to +40 °C      |
| Rated voltage         | : 230 V           | Altitude                    | : 3280 ft               |
| Rated current         | : 5.22 A          | Protection degree           | : IP55                  |
| L. R. Amperes         | : 36.5 A          | Cooling method              | : IC411 - TEFC          |
| LRC                   | : 7.0             | Mounting                    | : B35L(D)               |
| No load current       | : 2.80 A          | Rotation <sup>1</sup>       | : Both                  |
| Rated speed           | : 3520 rpm        | Noise level <sup>2</sup>    | : 65.0 dB(A)            |
| Slip                  | : 2.22 %          | Vibration class             | : NOT APPLICABLE        |
| Rated torque          | : 1.50 ft.lb      | Starting method             | : Direct On Line        |
| Locked rotor torque   | : 230 %           | Coupling                    | : Direct                |
| Pull up torque        | : 195 %           | Approx. weight <sup>3</sup> | : 38.0 lb               |
| Breakdown torque      | : 270 %           | Painting plan               | : 207A                  |
| Insulation class      | : F               | Color                       | : RAL 5009              |
| Service factor        | : 1.15            |                             |                         |
| Moment of inertia (J) | : 0.0214 sq.ft.lb |                             |                         |

|                |      |      |      |                                     |     |
|----------------|------|------|------|-------------------------------------|-----|
| Output         | 50%  | 75%  | 100% | Load type                           | : - |
| Efficiency (%) | 60.0 | 68.0 | 71.0 | Load torque                         | : - |
| Power Factor   | 0.75 | 0.83 | 0.88 | Load inertia (J=GD <sup>2</sup> /4) | : - |

|                      |                  |               |                  |     |
|----------------------|------------------|---------------|------------------|-----|
|                      | Drive end        | Non drive end | Foundation loads |     |
| Bearing type         | 6204-ZZ          | 6203-ZZ       | Max. traction    | : - |
| Lubrication interval | -                | -             | Max. compression | : - |
| Lubricant amount     | -                | -             |                  |     |
| Lubricant type       | MOBIL POLYREX EM |               |                  |     |

### Notes

|           |               |               |           |                |
|-----------|---------------|---------------|-----------|----------------|
| Standards | Specification | : IEC 60034-1 | Vibration | : IEC 60034-14 |
|           | Test          | : IEC 60034-2 | Tolerance | : IEC 60034-1  |
|           | Noise         | : IEC 60034-9 |           |                |

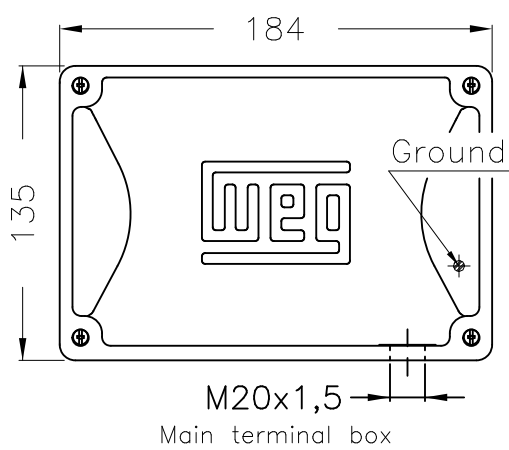
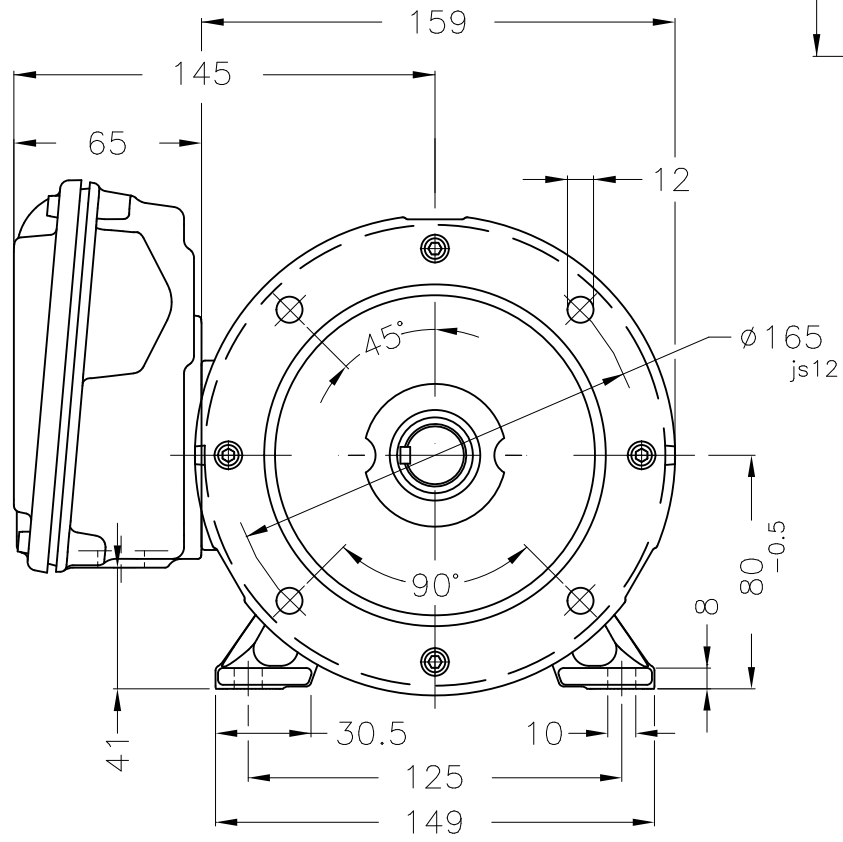
This revision replaces and cancel the previous one, which must be eliminated.  
 (1) Looking the motor from the shaft end.  
 (2) Measured at 1m and with tolerance of +3dB(A).  
 (3) Approximate weight, subject to be changed after manufacturing process.  
 (4) At 100% of full load.

These are average values based on tests with sinusoidal power supply, subject to the tolerances stipulated in IEC 60034-1.

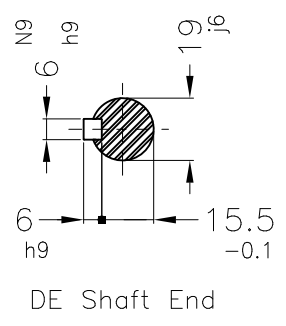
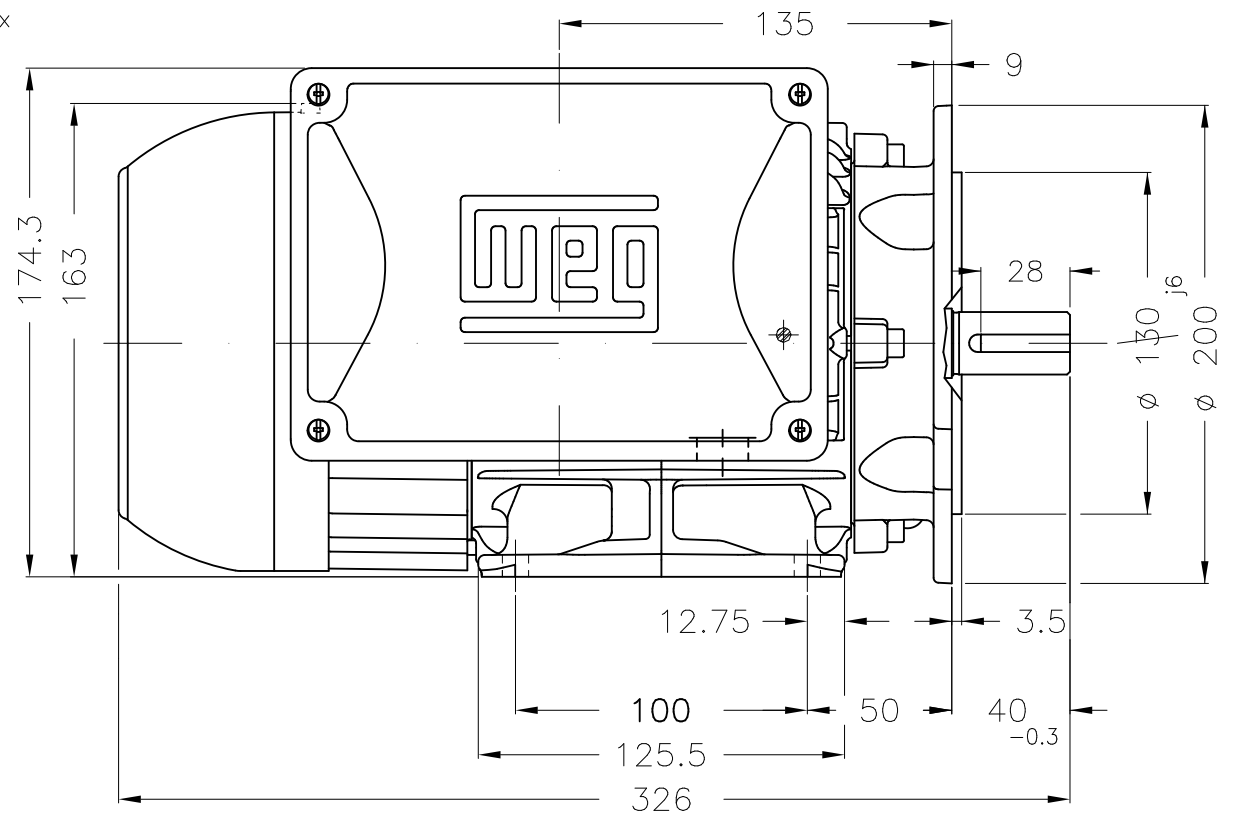
|              |                 |  |      |            |      |
|--------------|-----------------|--|------|------------|------|
| Rev.         | Changes Summary |  | Rev. | Checked    | Date |
| Performed by | kmello          |  |      | 1383074542 |      |
| Checked by   | AUTOMATICO      |  |      | Page       | Rev. |
| Date         | 18/05/2023      |  |      | 1 / 1      | 0    |

1 2 3 4 5 6

A  
B  
C  
D  
E



Grounding for leads 0.5–6 mm<sup>2</sup> / 20–10 AWG



Center hole  
DM6 WEG WPR-7339  
(DIN 332)

Dimensions in mm

|                                       |           |  |                |                     |  |  |                |           |          |      |     |
|---------------------------------------|-----------|--|----------------|---------------------|--|--|----------------|-----------|----------|------|-----|
| Mounting B35L(D)                      |           |  |                |                     |  |  |                |           |          |      |     |
| <b>WEG ELECTRIC CORPORATION - WEC</b> |           |  |                |                     |  |  |                |           |          |      |     |
|                                       |           |  |                |                     |  |  |                | PIRWBUSER |          | 00   |     |
| ECM                                   | LOC       | SUMMARY OF MODIFICATIONS                   |                |                     |  |  | EXECUTED       | CHECKED   | RELEASED | DATE | VER |
| EXECUTED                              | PIRWBUSER | SINGLE PH. MOTOR W22<br>FRAME 80 IP55 TEFC |                |                     |  |  | <b>PREVIEW</b> |           |          |      |     |
| CHECKED                               |           |  |                |                     |  |  | WDD   00       |           |          |      |     |
| RELEASED                              |           |  |                |                     |  |  | SHEET   1 / 1  |           |          |      |     |
| REL. DATE                             |           | WMO  | Jaragua do Sul | Product Engineering |  |  |                |           |          |      |     |

0.75 kW 02 Poles 60 Hz

A