

DATA SHEET

Single Phase Induction Motor - Squirrel Cage



Customer : WEG ELECTRIC CORPORATION - WEC

Product line : Special Motor

Frame	: 80	Locked rotor time	: 6 s (hot) 11 s (cold)
Output	: 0.75 kW	Temperature rise	: 80 K
Poles	: 4	Duty cycle	: S1
Frequency	: 60 Hz	Ambient temperature	: -20 °C to +40 °C
Rated voltage	: 230 V	Altitude	: 3280 ft
Rated current	: 4.98 A	Protection degree	: IP55
L. R. Amperes	: 35.4 A	Cooling method	: IC411 - TEFC
LRC	: 7.1	Mounting	: B35L(D)
No load current	: 3.00 A	Rotation ¹	: Both
Rated speed	: 1740 rpm	Noise level ²	: 55.0 dB(A)
Slip	: 3.33 %	Vibration class	: NOT APPLICABLE
Rated torque	: 3.04 ft.lb	Starting method	: Direct On Line
Locked rotor torque	: 170.0 %	Coupling	: Direct
Pull up torque	: 145.0 %	Approx. weight ³	: 41.1 lb
Breakdown torque	: 220.0 %	Painting plan	: 207A
Insulation class	: F	Color	: RAL 5009
Service factor	: 1.00		
Moment of inertia (J)	: 0.0712 sq.ft.lb		

Output	50%	75%	100%	Load type	: -
Efficiency (%)	62.3	69.7	72.7	Load torque	: -
Power Factor	0.73	0.84	0.90	Load inertia (J=GD ² /4)	: -

Bearing type	Drive end	Non drive end	Foundation loads		
	6204-ZZ	6203-ZZ		Max. traction	: -
	Lubrication interval	-		Max. compression	: -
	Lubricant amount	-			
	Lubricant type	MOBIL POLYREX EM			

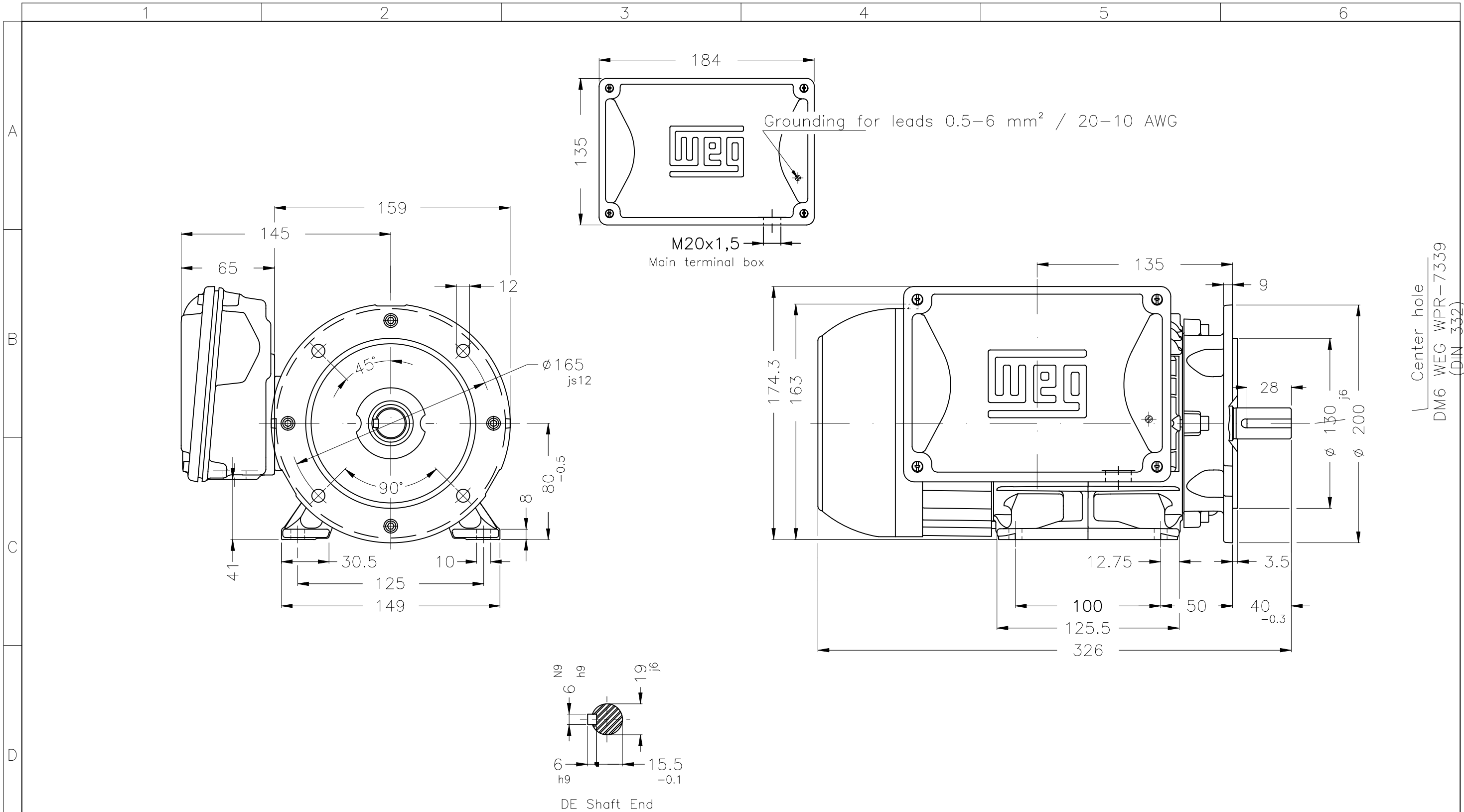
Notes
W22

Standards	Specification	: IEC 60034-1 / ABNT NBR 17094-2	Vibration	: IEC 60034-14
	Test	: IEC 60034-2 / ABNT NBR 17094-4	Tolerance	: IEC 60034-1 / ABNT NBR 17094-2
	Noise	: IEC 60034-9		

This revision replaces and cancel the previous one, which must be eliminated.
 (1) Looking the motor from the shaft end.
 (2) Measured at 1m and with tolerance of +3dB(A).
 (3) Approximate weight, subject to be changed after manufacturing process.

These are average values based on tests with sinusoidal power supply, subject to the tolerances stipulated in ABNT-NBR 17094-2.

Rev.	Changes Summary		Rev.	Checked	Date
Performed by	lucaspiton			1383077423	
Checked by	AUTOMATICO			Page	Rev.
Date	15/07/2024			1 / 1	1



Center hole
DM6 WEG WPR-7339
(DIN 332)

Dimensions in mm

Mounting B35L(D)										
WEG ELECTRIC CORPORATION - WEC										
								PIRWUSER	01	
ECM	LOC	SUMMARY OF MODIFICATIONS					EXECUTED	CHECKED	RELEASED	DATE
EXECUTED	PIRWUSER	SINGLE PH. MOTOR W22 FRAME 80 IP55 TEFC					PREVIEW			
CHECKED							WDD			01
RELEASED							SHEET			1 / 1
REL. DATE		WMO	Jaragua do Sul	Product Engineering						

0.75 kW 04 Poles 60 Hz