

DATA SHEET

Single Phase Induction Motor - Squirrel Cage



Customer : WEG ELECTRIC CORPORATION - WEC

Product line : W22

Frame	: 100L	Locked rotor time	: 6 s (hot) 11 s (cold)
Output	: 2.2 kW	Temperature rise	: 80 K
Poles	: 4	Duty cycle	: S1
Frequency	: 60 Hz	Ambient temperature	: -20 °C to +40 °C
Rated voltage	: 230 V	Altitude	: 3280 ft
Rated current	: 16.3 A	Protection degree	: IP55
L. R. Amperes	: 111 A	Cooling method	: IC411 - TEFC
LRC	: 6.8	Mounting	: B35L(D)
No load current	: 8.70 A	Rotation ¹	: Both
Rated speed	: 1750 rpm	Noise level ²	: 58.0 dB(A)
Slip	: 2.78 %	Vibration class	: NOT APPLICABLE
Rated torque	: 8.86 ft.lb	Starting method	: Direct On Line
Locked rotor torque	: 200 %	Coupling	: Direct
Pull up torque	: 170 %	Approx. weight ³	: 93.7 lb
Breakdown torque	: 250 %	Painting plan	: 207A
Insulation class	: F	Color	: RAL 5009
Service factor	: 1.15		
Moment of inertia (J)	: 0.2302 sq.ft.lb		

Output	50%	75%	100%	Load type	: -
Efficiency (%)	70.0	75.0	76.0	Load torque	: -
Power Factor	0.61	0.70	0.77	Load inertia (J=GD ² /4)	: -

Bearing type Lubrication interval Lubricant amount Lubricant type	Drive end	Non drive end	Foundation loads Max. traction : - Max. compression : -
	6206-ZZ	6206-ZZ	
	-	-	
	-	-	
	MOBIL POLYREX EM		

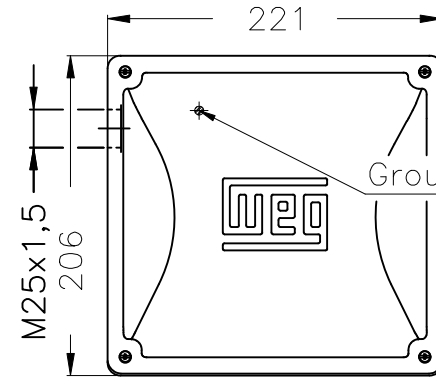
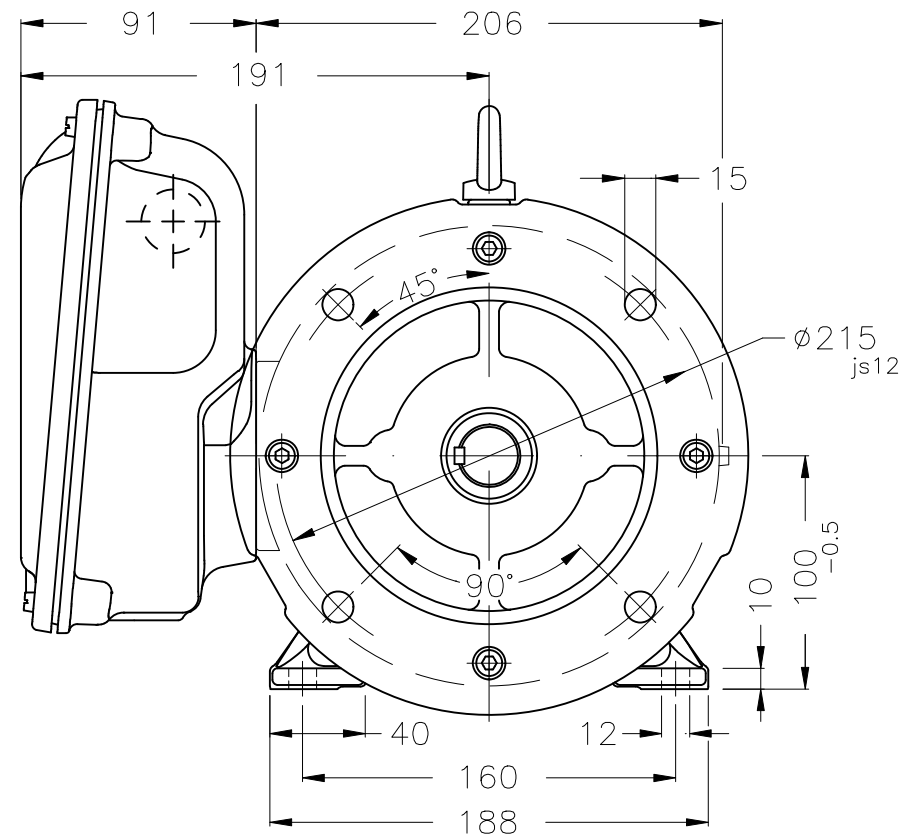
Notes

Standards	Specification	: IEC 60034-1	Vibration	: IEC 60034-14
	Test	: IEC 60034-2	Tolerance	: IEC 60034-1
	Noise	: IEC 60034-9		

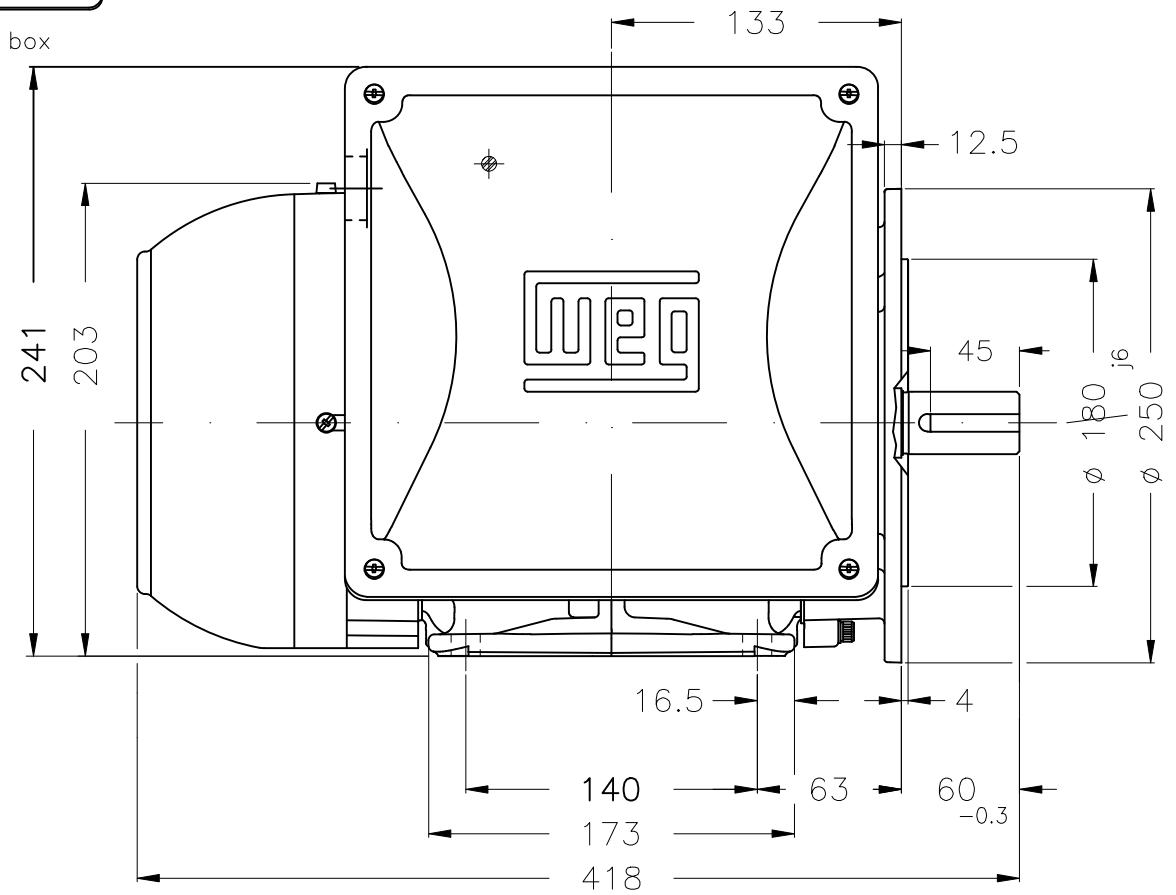
This revision replaces and cancel the previous one, which must be eliminated.
 (1) Looking the motor from the shaft end.
 (2) Measured at 1m and with tolerance of +3dB(A).
 (3) Approximate weight, subject to be changed after manufacturing process.

These are average values based on tests with sinusoidal power supply, subject to the tolerances stipulated in IEC 60034-1.

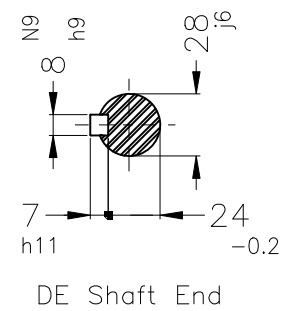
Rev.	Changes Summary	Rev.	Checked	Date
Performed by	kmello	1383086236		
Checked by	AUTOMATICO	Page	Rev.	
Date	18/05/2023	1 / 1	1	



Main terminal box



Center hole
DM10 WEG WPR-7339
(DIN 332)



DE Shaft End

Mounting B35L(D)											
WEG ELECTRIC CORPORATION - WEG											
					PIRWBUSER		01				
ECM	LOC	SUMMARY OF MODIFICATIONS				EXECUTED	CHECKED	RELEASED	DATE	VER	
EXECUTED	PIRWBUSER	SINGLE PH. MOTOR W22 FRAME 100L IP55 TEFC				PREVIEW					
CHECKED						WDD		01			
RELEASED						SHEET		1 / 1			
REL. DATE		WMO	Jaragua do Sul		Product Engineering						

2.2 kW 04 Poles 60 Hz