

DATA SHEET

Single Phase Induction Motor - Squirrel Cage



Customer : WEG ELECTRIC CORPORATION - WEC

Product line : Special Motor

Frame	: 112M	Locked rotor time	: 6 s (hot) 6 s (cold)
Output	: 4 kW	Temperature rise	: 105 K
Poles	: 4	Duty cycle	: S1
Frequency	: 60 Hz	Ambient temperature	: -20 °C to +40 °C
Rated voltage	: 230 V	Altitude	: 3280 ft
Rated current	: 23.0 A	Protection degree	: IP55
L. R. Amperes	: 177 A	Cooling method	: IC411 - TEFC
LRC	: 7.7	Mounting	: B35L(D)
No load current	: 10.0 A	Rotation ¹	: Both
Rated speed	: 1725 rpm	Noise level ²	: -
Slip	: 4.17 %	Vibration class	: NOT APPLICABLE
Rated torque	: 16.3 ft.lb	Starting method	: Direct On Line
Locked rotor torque	: 300 %	Coupling	: Direct
Breakdown torque	: 210 %	Approx. weight ³	: 120 lb
Insulation class	: F	Painting plan	: 207A
Service factor	: 1.00	Color	: RAL 5009
Moment of inertia (J)	: 0.0000 sq.ft.lb		

Output	50%	75%	100%	Load type	: -
Efficiency (%)	68.0	75.0	78.5	Load torque	: -
Power Factor	0.92	0.95	0.96	Load inertia (J=GD ² /4)	: -

Bearing type	Drive end 6207-ZZ	Non drive end 6206-ZZ	Foundation loads	
Lubrication interval	-	-	Max. traction	: -
Lubricant amount	-	-	Max. compression	: -
Lubricant type	MOBIL POLYREX EM			

Notes
W22

Standards	Specification	: IEC 60034-1	Vibration	: IEC 60034-14
	Test	: IEC 60034-2	Tolerance	: IEC 60034-1
	Noise	: IEC 60034-9		

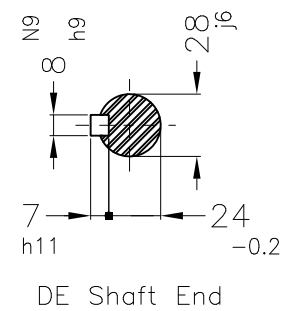
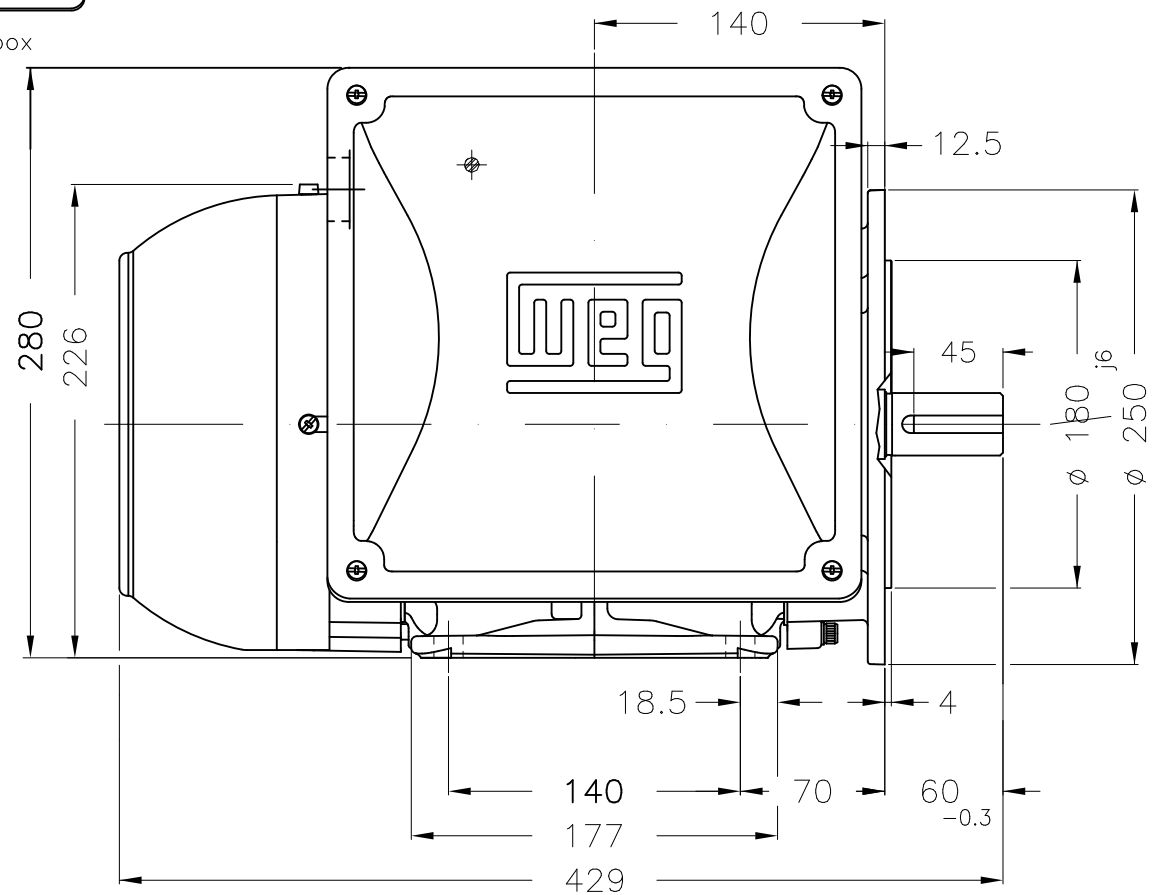
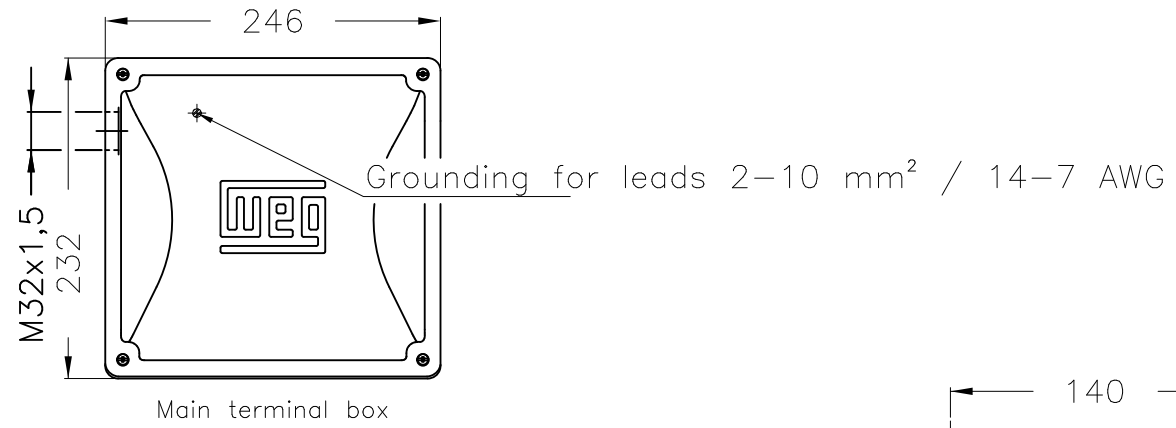
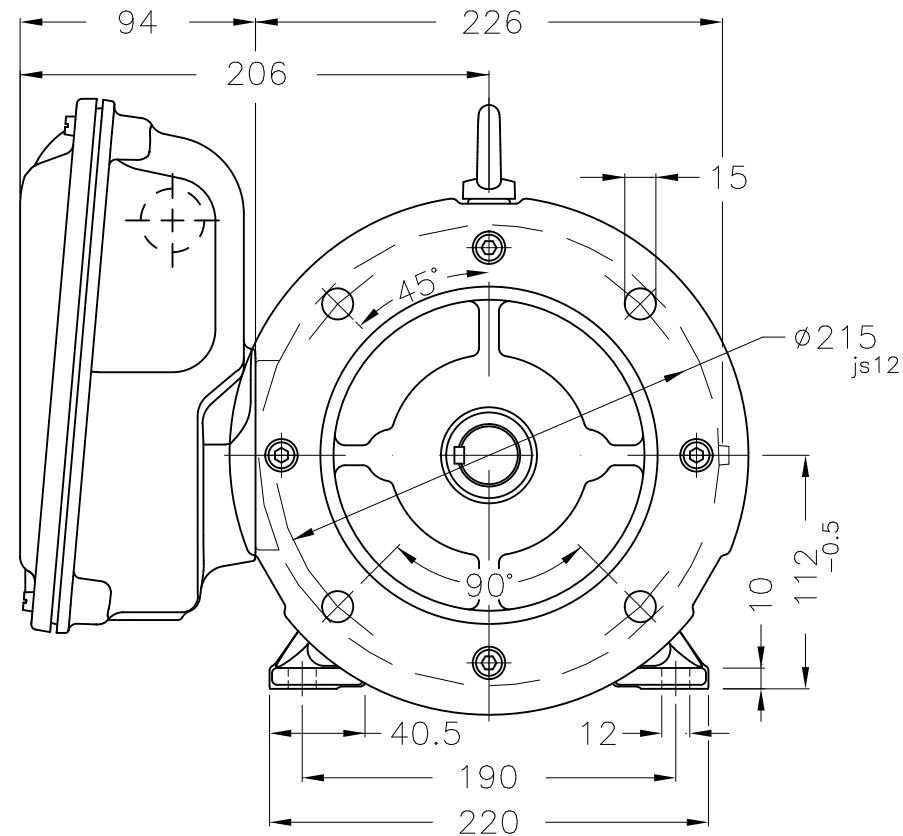
This revision replaces and cancel the previous one, which must be eliminated.
 (1) Looking the motor from the shaft end.
 (2) Measured at 1m and with tolerance of +3dB(A).
 (3) Approximate weight, subject to be changed after manufacturing process.
 (4) At 100% of full load.

These are average values based on tests with sinusoidal power supply, subject to the tolerances stipulated in IEC 60034-1.

Rev.	Changes Summary		Rev.	Checked	Date
Performed by	kmello			1383093920	
Checked by	AUTOMATICO			Page	Rev.
Date	18/05/2023			1 / 1	0

1 2 3 4 5 6

A
B
C
D
E



Center hole
DM10 WEG WPR-7339
(DIN 332)

Dimensions in mm

Service factor 1.0						
Mounting B35L(D)						
WEG ELECTRIC CORPORATION - WEC						
					PIRWUSER	00
ECM	LOC	SUMMARY OF MODIFICATIONS		EXECUTED	CHECKED	RELEASED DATE VER
EXECUTED	PIRWUSER	SINGLE PH. MOTOR W22		PREVIEW		
CHECKED		FRAME 112M IP55 TEFC				
RELEASED						
REL. DATE	WMO	Jaragua do Sul	Product Engineering	WDD	00	1 / 1

4 kW 04 Poles 60 Hz

A