

DATA SHEET

Single Phase Induction Motor - Squirrel Cage



Customer : WEG ELECTRIC CORPORATION - WEC

Product line : W22

Frame	: 132M	Locked rotor time	: 6 s (hot) 11 s (cold)
Output	: 5.5 kW	Temperature rise	: 80 K
Poles	: 4	Duty cycle	: S1
Frequency	: 60 Hz	Ambient temperature	: -20 °C to +40 °C
Rated voltage	: 230 V	Altitude	: 3280 ft
Rated current	: 30.0 A	Protection degree	: IP55
L. R. Amperes	: 231 A	Cooling method	: IC411 - TEFC
LRC	: 7.7	Mounting	: B35L(D)
No load current	: 8.80 A	Rotation ¹	: Both
Rated speed	: 1755 rpm	Noise level ²	: 63.0 dB(A)
Slip	: 2.50 %	Vibration class	: NOT APPLICABLE
Rated torque	: 22.1 ft.lb	Starting method	: Direct On Line
Locked rotor torque	: 320 %	Coupling	: Direct
Pull up torque	: 270 %	Approx. weight ³	: 182 lb
Breakdown torque	: 250 %	Painting plan	: 207A
Insulation class	: F	Color	: RAL 5009
Service factor	: 1.15		
Moment of inertia (J)	: 1.08 sq.ft.lb		

Output	50%	75%	100%	Load type	: -
Efficiency (%)	75.6	81.0	83.0	Load torque	: -
Power Factor	0.91	0.94	0.96	Load inertia (J=GD ² /4)	: -

	Drive end	Non drive end	Foundation loads	
Bearing type	6308-ZZ	6206-ZZ	Max. traction	: -
Lubrication interval	-	-	Max. compression	: -
Lubricant amount	-	-		
Lubricant type	MOBIL POLYREX EM			

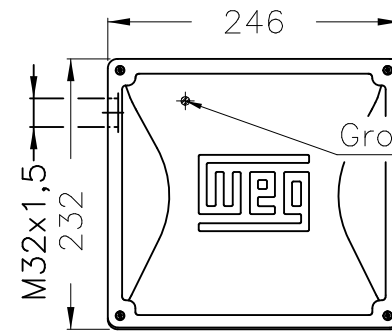
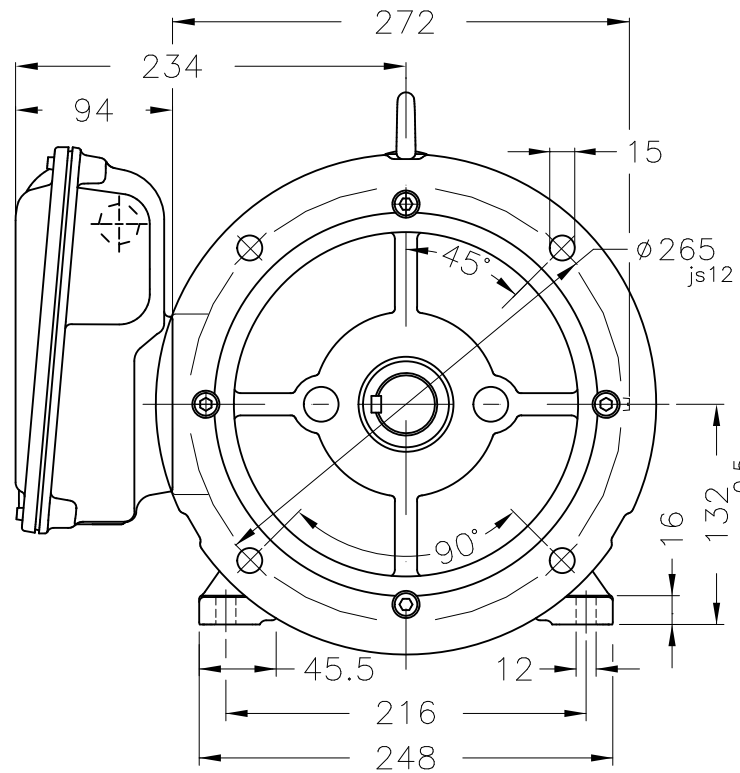
Notes

Standards	Specification	: IEC 60034-1	Vibration	: IEC 60034-14
	Test	: IEC 60034-2	Tolerance	: IEC 60034-1
	Noise	: IEC 60034-9		

This revision replaces and cancel the previous one, which must be eliminated.
 (1) Looking the motor from the shaft end.
 (2) Measured at 1m and with tolerance of +3dB(A).
 (3) Approximate weight, subject to be changed after manufacturing process.
 (4) At 100% of full load.

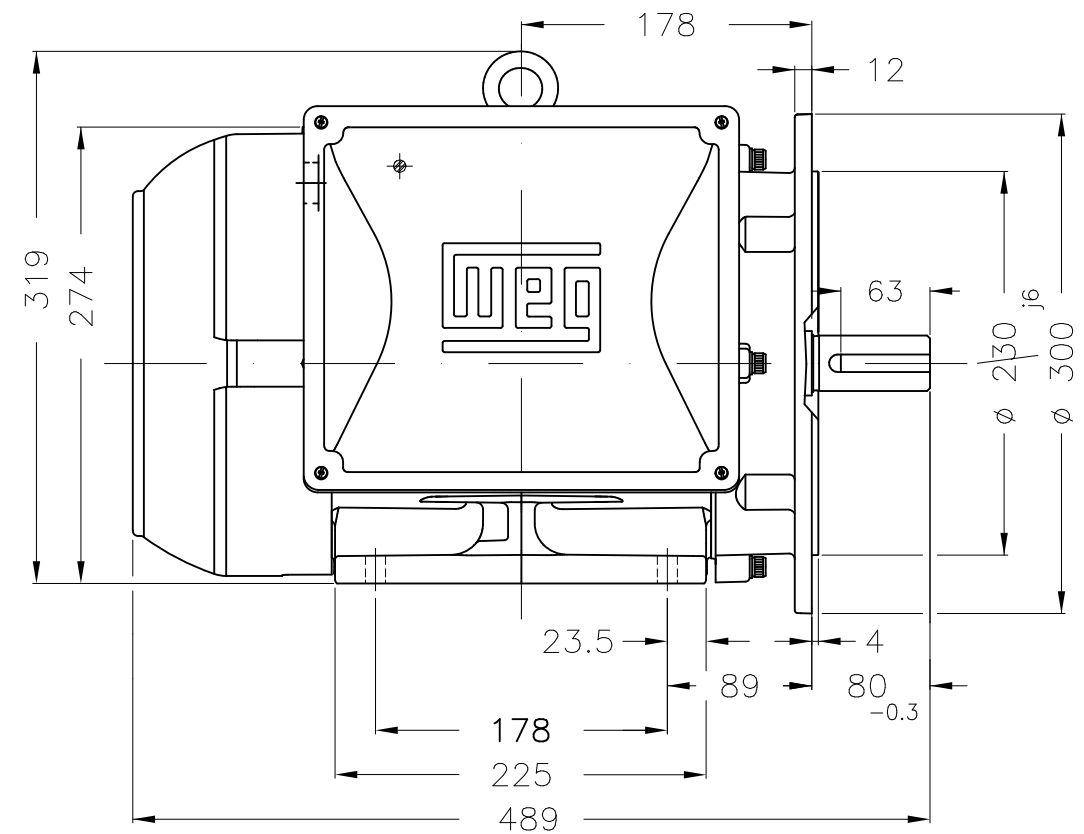
These are average values based on tests with sinusoidal power supply, subject to the tolerances stipulated in IEC 60034-1.

Rev.	Changes Summary		Rev.	Checked	Date
Performed by	kmello			1383096239	
Checked by	AUTOMATICO			Page	Rev.
Date	18/05/2023			1 / 1	0

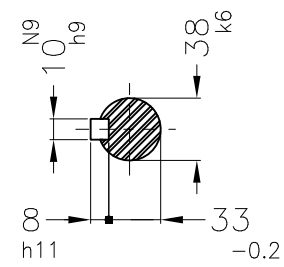


Main terminal box

Grounding for leads 2–10 mm² / 14–7 AWG



Center hole
DM12 WEG WPR-7339
(DIN 332)



DE Shaft End

Mounting B35L(D)										
WEG ELECTRIC CORPORATION - WEC										
					PIRWUSER		00			
ECM	LOC	SUMMARY OF MODIFICATIONS				EXECUTED	CHECKED	RELEASED	DATE	VER
EXECUTED	PIRWUSER	SINGLE PH. MOTOR W22 FRAME 132M IP55 TEFC				PREVIEW				
CHECKED						WDD 00				
RELEASED						SHEET 1 / 1				
REL. DATE		WMO	Jaragua do Sul	Product Engineering						

5.5 kW 04 Poles 60 Hz