

DATA SHEET

Single Phase Induction Motor - Squirrel Cage



Customer : WEG ELECTRIC CORPORATION - WEC

Product line : W22

Frame	: 132M	Locked rotor time	: 6 s (hot) 11 s (cold)
Output	: 7.5 kW	Temperature rise	: 105 K
Poles	: 4	Duty cycle	: S1
Frequency	: 60 Hz	Ambient temperature	: -20 °C to +40 °C
Rated voltage	: 230 V	Altitude	: 3280 ft
Rated current	: 40.9 A	Protection degree	: IP55
L. R. Amperes	: 274 A	Cooling method	: IC411 - TEFC
LRC	: 6.7	Mounting	: B35L(D)
No load current	: 12.0 A	Rotation ¹	: Both
Rated speed	: 1740 rpm	Noise level ²	: 63.0 dB(A)
Slip	: 3.33 %	Vibration class	: NOT APPLICABLE
Rated torque	: 30.4 ft.lb	Starting method	: Direct On Line
Locked rotor torque	: 260 %	Coupling	: Direct
Pull up torque	: 220 %	Approx. weight ³	: 202 lb
Breakdown torque	: 240 %	Painting plan	: 207A
Insulation class	: F	Color	: RAL 5009
Service factor	: 1.15		
Moment of inertia (J)	: 1.15 sq.ft.lb		

Output	50%	75%	100%	Load type	: -
Efficiency (%)	77.9	82.5	84.0	Load torque	: -
Power Factor	0.92	0.94	0.95	Load inertia (J=GD ² /4)	: -

	Drive end	Non drive end	Foundation loads	
Bearing type	6308-ZZ	6206-ZZ	Max. traction	: -
Lubrication interval	-	-	Max. compression	: -
Lubricant amount	-	-		
Lubricant type	MOBIL POLYREX EM			

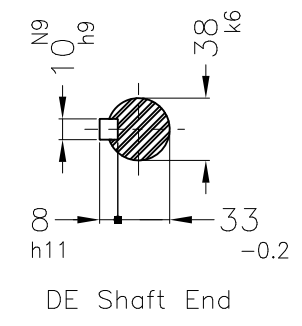
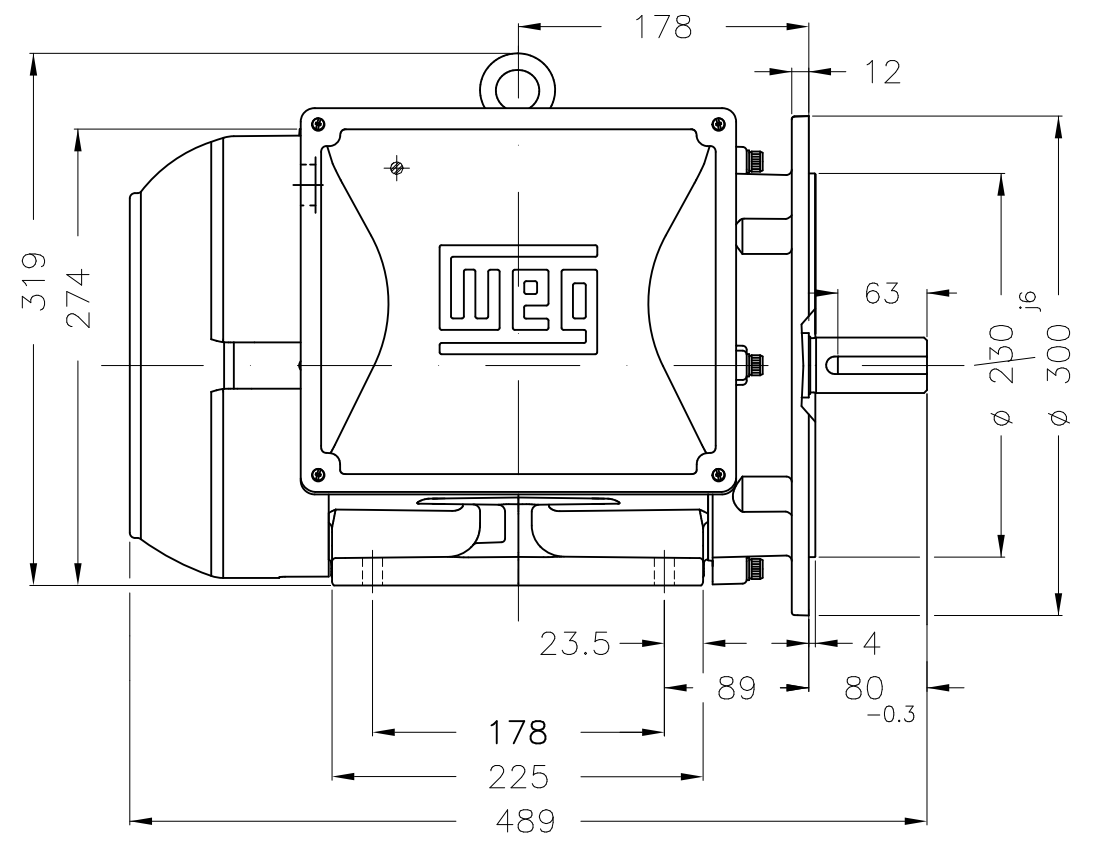
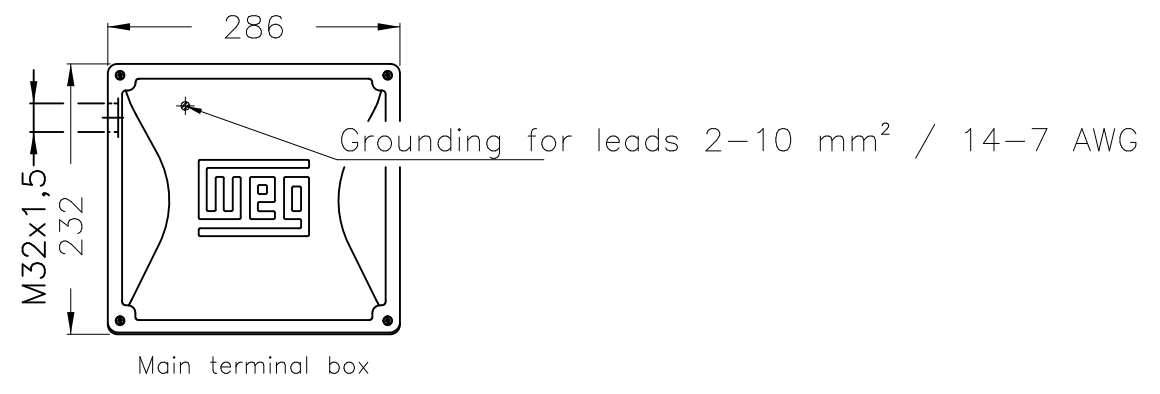
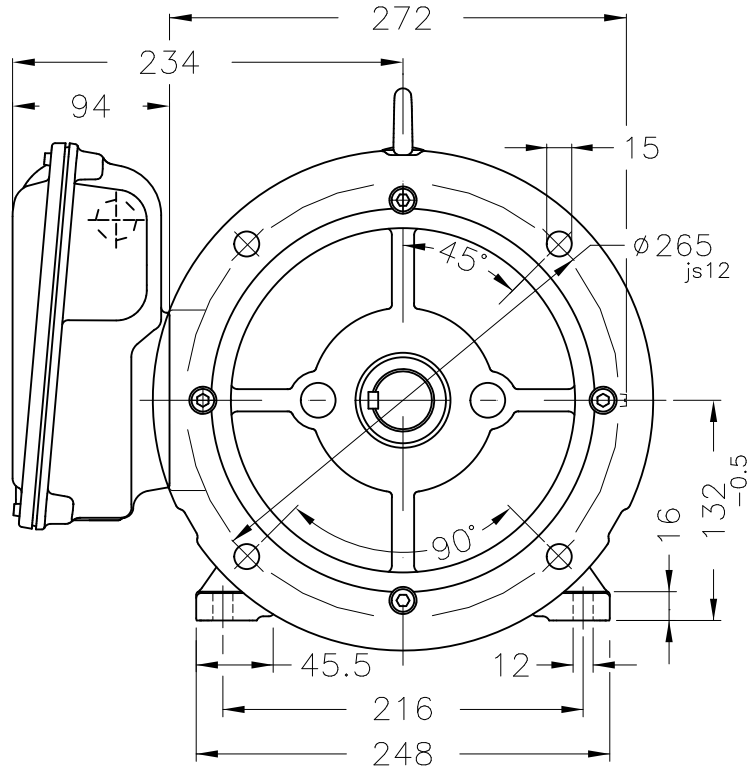
Notes

Standards	Specification	: IEC 60034-1	Vibration	: IEC 60034-14
	Test	: IEC 60034-2	Tolerance	: IEC 60034-1
	Noise	: IEC 60034-9		

This revision replaces and cancel the previous one, which must be eliminated.
 (1) Looking the motor from the shaft end.
 (2) Measured at 1m and with tolerance of +3dB(A).
 (3) Approximate weight, subject to be changed after manufacturing process.
 (4) At 100% of full load.

These are average values based on tests with sinusoidal power supply, subject to the tolerances stipulated in IEC 60034-1.

Rev.	Changes Summary		Rev.	Checked	Date
Performed by	kmello			1383180924	
Checked by	AUTOMATICO			Page	Rev.
Date	18/05/2023			1 / 1	0



Center hole
DM12 WEG WPR-7339
(DIN 332)

Dimensions in mm

Mounting B35L(D)											
WEG ELECTRIC CORPORATION - WEG											
					PIRWBUSER		00				
ECM	LOC	SUMMARY OF MODIFICATIONS				EXECUTED	CHECKED	RELEASED	DATE	VER	
EXECUTED	PIRWBUSER	SINGLE PH. MOTOR W22 FRAME 132M IP55 TEFC				PREVIEW					
CHECKED						WDD		00			
RELEASED											
REL. DATE		WMO	Jaragua do Sul	Product Engineering	SHEET	1 / 1					

7.5 kW 04 Poles 60 Hz

A

