

# ESWE Series Combination Starters



## Economical Motor Starting Solutions ESWE Series Combination Starters Type E with/without CPT

High performance and optimized solutions for motor starting and control. WEG offers full voltage non-reversing combination starters, ESWE series, up to 20 HP at 460VAC (40A) with or without control power transformers for three-phase applications.



UL File No. E202315

### Standard Features

- Standard Enclosure Type: non-metallic 4X
- Control Power Transformer: with or without  
CPT primary 575V – secondary 120V  
CPT primary 480V/240V – secondary 120V
- Branch Disconnect: rotary through-the-door handle
- Short-Circuit Protection: manual motor protection
- Motor Control: magnetic IEC contactor
- Overload Protection: manual motor protection
- Standard Control Devices: HAND-OFF-AUTO switch, START and STOP pushbuttons, pilot lights
- Custom enclosure and control options available upon request

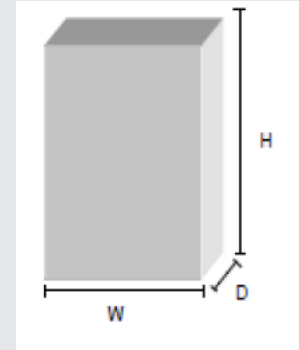
UL Combination Starter Type	Device Used for Component Function			
	Motor Disconnect	Motor Branch Circuit Protection	Motor Controller	Motor OL Relay
E	UL508 Manual Self-Protected Combination Controller		IEC Contactor	UL508 Manual Self-Protected Combination Controller



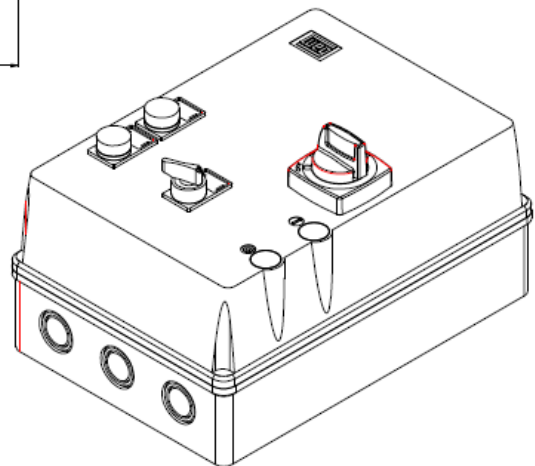
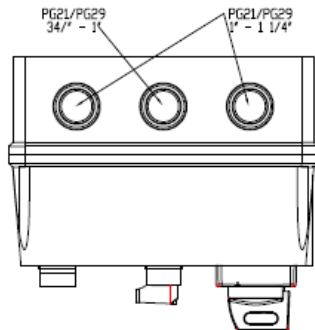
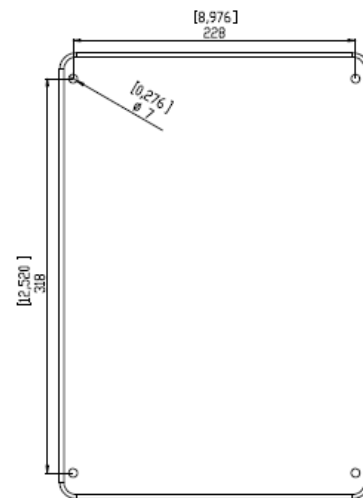
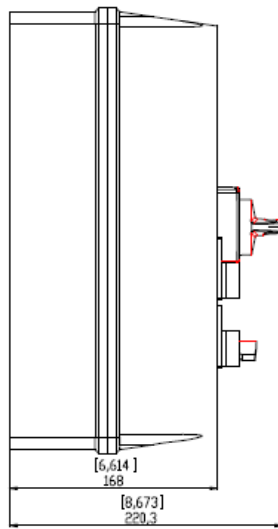
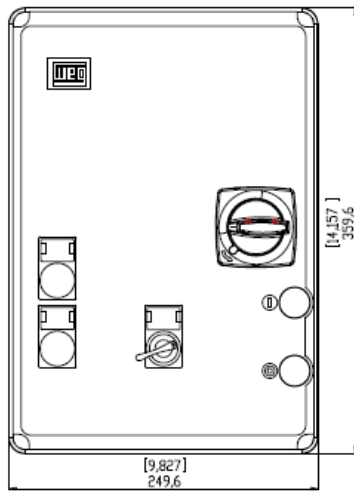
# Combination Starters – ESWE Series

## DIMENSIONS

Enclosure Size	Dimensions (in/mm)		
	H	W	D
E-1	14.2	9.9	6.6



## E-1 Non-metallic Enclosure (in) mm



WEG Electric Corp.  
 6655 Sugarloaf Pkwy.  
 Duluth, GA 30097  
 Phone: 1-800-ASK-4WEG  
[www.weg.net](http://www.weg.net)

