

PESW Series Enclosed Starters



Robust Solutions for Demanding Applications

PESW Series Enclosed Starters

High performance, optimized solutions for motor starting and control. WEG offers full voltage non-reversing and non-combination magnetic starters, PESW series, up to 75HP at 460VAC (105A) for three-phase applications and up to 10HP at 230VAC (50A) for single-phase applications.



UL File No. E202315

Standard Features

- Compact design
- Plastic enclosure Type 4X
- Available in four box sizes 05, 08, and 10
- IEC contactors inside
- Trip class 10 bimetallic overload relays
- Phase-loss sensitivity protection
- Automatic and manual RESET options
- Standard START/STOP + RESET buttons or RESET button only
- Custom control options available upon request

Accessories – Replacement Base-Mount Contact Blocks for PESW(S)B9-38

- Single contact block used for mounting in base, in PBW plastic control stations, and on 35mm DIN rail.
- Normally-Open and Normally-Close contact blocks available

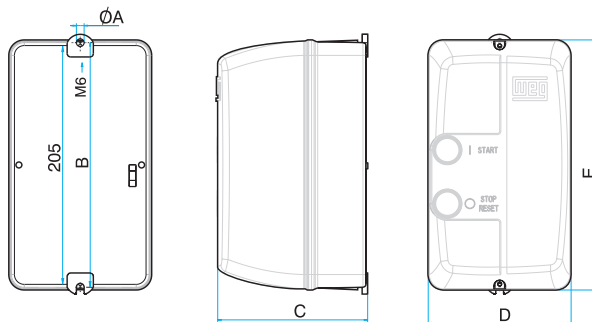


Disconnect Switches – PESW Series

DIMENSIONS

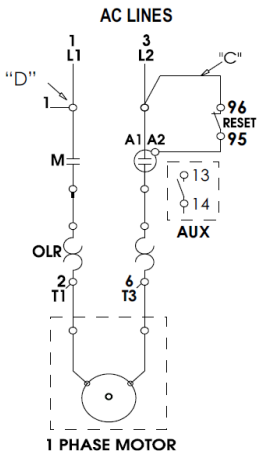
SIZE 05 mm(in)	SIZE 08 mm (in)	SIZE 10 mm (in)
$\phi A = 5.5 (0.2165)$	$\phi A = 6.0 (0.2)$	$\phi A = 7.0 (0.3)$
$B = 219.0 (8.622)$	$B = 275 (10.8)$	$B = 355 (14.0)$
$C = 112 (4.4331)$	$C = 143 (5.6)$	$C = 167 (6.6)$
$D = 114.0 (4.4882)$	$D = 180 (7.1)$	$D = 250 (9.9)$
$E = 217 (8.5433)$	$E = 280 (11.0)$	$E = 360 (14.2)$

Provision for cable gland fitting	Standard		
	Top	Bottom	Back
Size 05	2 x 1/2" - 3/4" PG13.5	2 x 1/2" - 3/4" PG13.5	4 X 1/2" PG13.5
Size 08	2 x 3/4" and 1"	2 x 3/4" and 1"	-
Size 10	2 x 3/4" and 1"	2 x 3/4" and 1"	-
	1 x 1" and 1 1/4"	1 x 1" and 1 1/4"	-

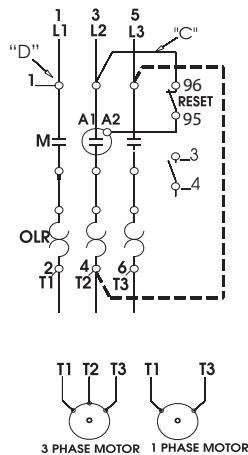


WIRING DIAGRAM

Single-phase Starter



Three-phase Starter



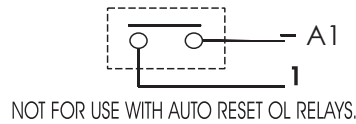
Conversion to single-phase, add jumper wire from L3 to T2 (follow dotted line connection above)

Separate Control

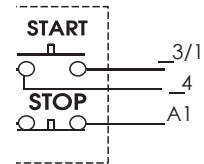
FOR SEPARATE CONTROL, REMOVE WIRES "C" AND "D" IF SUPPLIED AND CONNECT SEPARATE CONTROL LINES TO TERMINAL N° 96 ON THE OVERLOAD RELAY AND TO TERMINAL N° 3 ON THE AUX. CONTACT BLOCK (FOR 3 WIRE CONTROL) OR TO THE CONTACTOR COIL N° A1 (FOR 2 WIRE CONTROL).

Pilot Devices

2 Wire Control



3 Wire Control



WEG Electric Corp.
6655 Sugarloaf Pkwy.
Duluth, GA 30097
Phone: 1-800-ASK-4WEG
www.weg.net

